



# PARTS CATALOG

Published

2008/7 (Jul.)

---

0CNP2-G75500

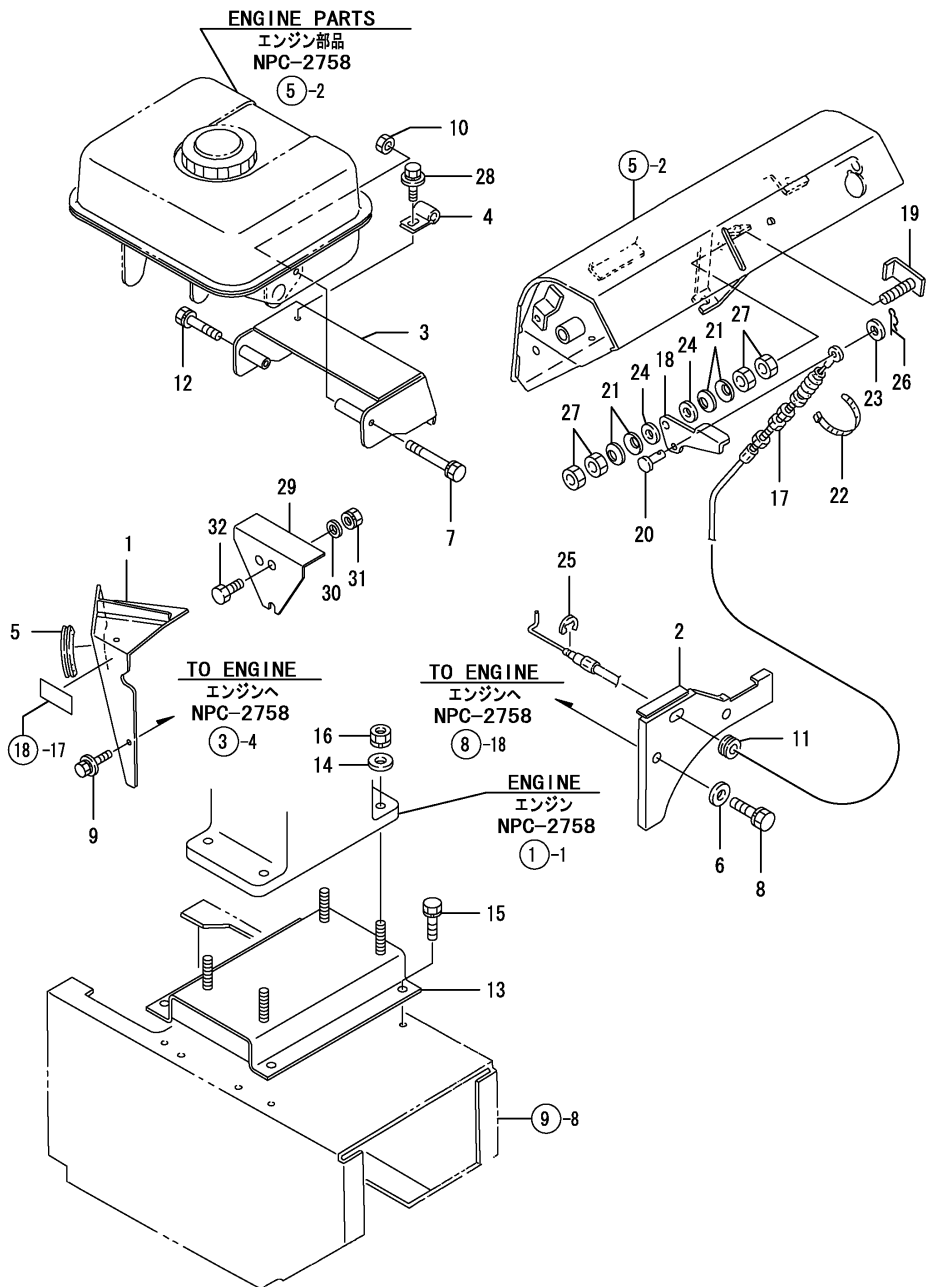
# CONTENTS

MODEL : YSR740T(  
PC NO : 0CNP2-G75500

Fig.No.	GROUP NAME
<b>ENGINE RELATED SECTION</b>	
1.	ENGINE RELATED
<b>DRIVE &amp; TRAVEL SECTION</b>	
2.	TRAVEL CLUTCH
3.	BELT DRIVE
4.	TRAVEL DRIVE
<b>CONTROL SECTION</b>	
5.	HANDLE
6.	CLUTCH CONTROL
7.	CHANGE CONTROL
8.	SNOW THROW UP CONTROL
<b>CHASSIS &amp; CRAWLER SECTION</b>	
9.	CHASSIS
10.	CRAWLER
<b>ELECTRICAL PARTS SECTION</b>	
11.	BATTERY
12.	SWITCH & HARNESS
13.	LAMP
<b>SNOW REMOVING SECTION</b>	
14.	SNOW REMOVING FRAME
15.	CHUTE
16.	GEAR CASE
17.	AUGER

Fig.No.	GROUP NAME
<b>LABELS &amp; ACCESSORIES</b>	
18.	MARKS
19.	TOOLS & ACCESSORIES
20.	LABELS(SAFETY(ADDNL.ITEM)

Fig.1. ENGINE RELATED



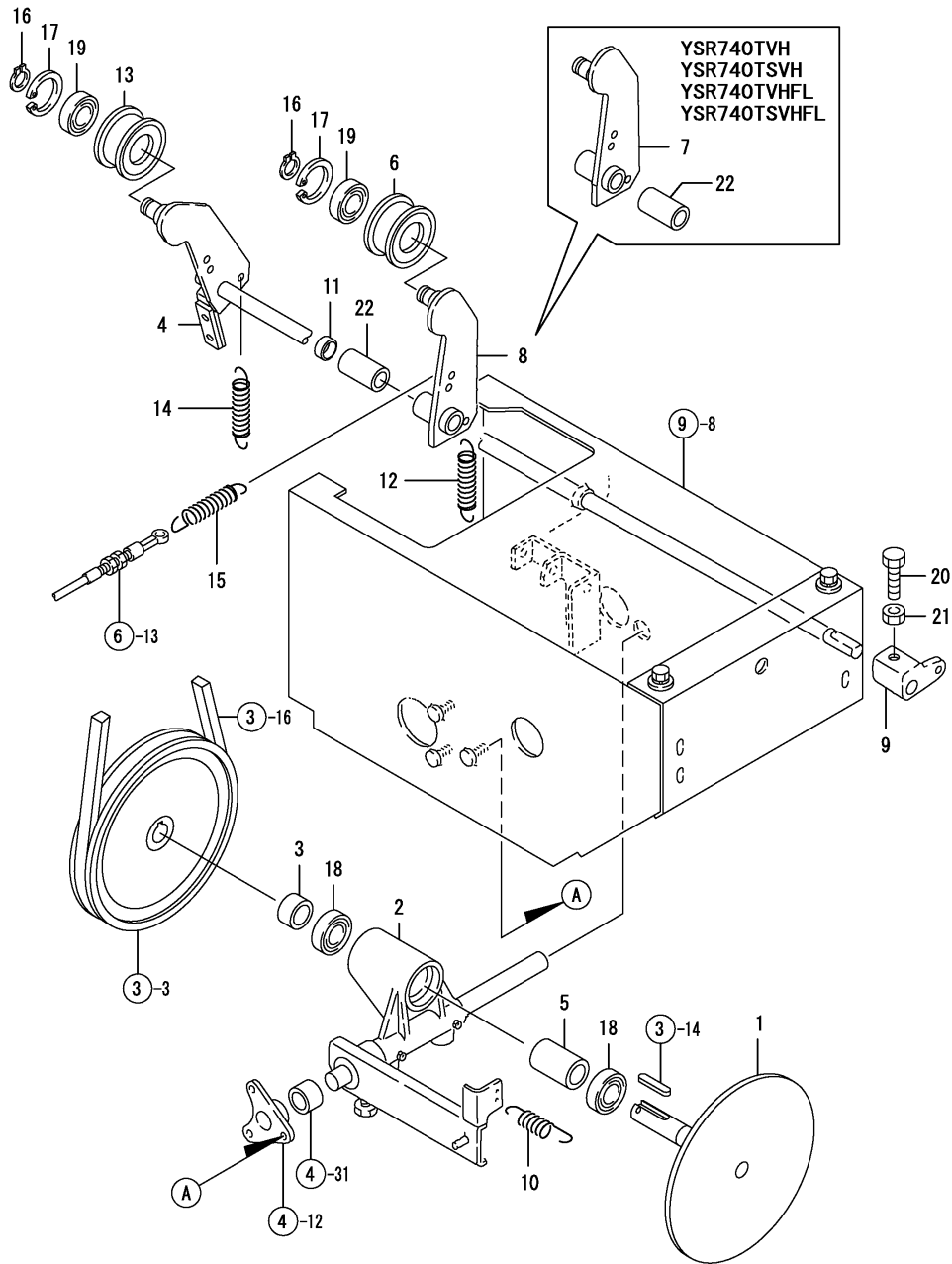
OCNP2-G75500 1. ENGINE RELATED

(A)=YSR740TV  
(B)=YSR740TVH  
(C)=YSR740TSV

(D)=YSR740TSVH  
(E)=YSR740TV-HFL  
(F)=YSR740TSVHFL

REF.	LEV.	PARTS NO.	DESCRIPTION	QTY						I	R
				(A)	(B)	(C)	(D)	(E)	(F)		
1	1	1N1713-00040	COVER B COMP.,AUX.	1	1	1	1	1	1		
2	1	1N1713-00080	COVER A COMP.,AUX.	1	1	1	1	1	1		
3	1	1N1713-00100	COVER COMP.,BRACKET	1	1	1	1	1	1		
4	1	1N1713-00140	CLIP,WIRE	1	1	1	1	1	1		
5	1	1N1713-00170	MOLDINGS 55	1	1	1	1	1	1		
6	1	1J3999-02010	WASHER 6	2	2	2	2	2	2		
7	1	26013-060554	BOLT M6X55	1	1	1	1	1	1		
8	1	26016-060204	BOLT M 6X 20	2	2	2	2	2	2		
9	1	26018-060124	BOLT M 6X 12	2	2	2	2	2	2		
10	1	26717-060002	NUT M 6	2	2			2			
11	1	194080-58820	GROMMET 15	1	1	1	1	1	1		
12	1	26013-060504	BOLT M 6X 50	1	1	1	1	1	1		
13	1	1N1713-01000	BASE,ENGINE	1	1	1	1	1	1		
14	1	22137-080000	WASHER 8, POLISHED	4	4	4	4	4	4		
15	1	26016-080204	BOLT M 8X 20	4	4	4	4	4	4		
16	1	26051-080002	NUT M 8	4	4	4	4	4	4		
17	1	1N1723-02001	WIRE, ACCELE	1	1	1	1	1	1		
18	1	1N1723-02010	LEVER,ACCELERATOR	1	1	1	1	1	1		
19	1	1N1723-02020	FULCRUM,ACCEL.LEVER	1	1	1	1	1	1		
20	1	1N1711-32330	PIN 6X12,FLAT HEAD	1	1	1	1	1	1		
21	1	1N1570-51130	SPRING,BELLEVILLE	4	4	4	4	4	4		
22	1	1E6460-83400	BAND 100	1	1	1	1	1	1		
23	1	22117-060000	WASHER 6	1	1	1	1	1	1		
24	1	22137-080000	WASHER 8, POLISHED	2	2	2	2	2	2		
25	1	22272-000050	CIRCLIP E- 5	1	1	1	1	1	1		
26	1	22372-060000	SNAP PIN 6	1	1	1	1	1	1		
27	1	26717-080002	NUT 8	4	4	4	4	4	4		
28	1	26018-060124	BOLT M 6X 12	1	1	1	1	1	1		
I 29	1	1N3300-00050	GUARD,MUFFLER	1	1	1	1	1	1		W
		(A=F010868) (B=FXXXXXX) (C=FXXXXXX) (D=FXXXXXX)		(E=F010295)	(F=FXXXXXX)						
I 30	1	22137-060000	WASHER 6, POLISHED	1	1	1	1	1	1		W
		(A=F010868) (B=FXXXXXX) (C=FXXXXXX) (D=FXXXXXX)		(E=F010295)	(F=FXXXXXX)						
I 31	1	26051-060002	NUT M 6	1	1	1	1	1	1		W
		(A=F010868) (B=FXXXXXX) (C=FXXXXXX) (D=FXXXXXX)		(E=F010295)	(F=FXXXXXX)						
I 32	1	26117-060122	BOLT M 6X 12 PLATED	1	1	1	1	1	1		W
		(A=F010868) (B=FXXXXXX) (C=FXXXXXX) (D=FXXXXXX)		(E=F010295)	(F=FXXXXXX)						

Fig.2. TRAVEL CLUTCH



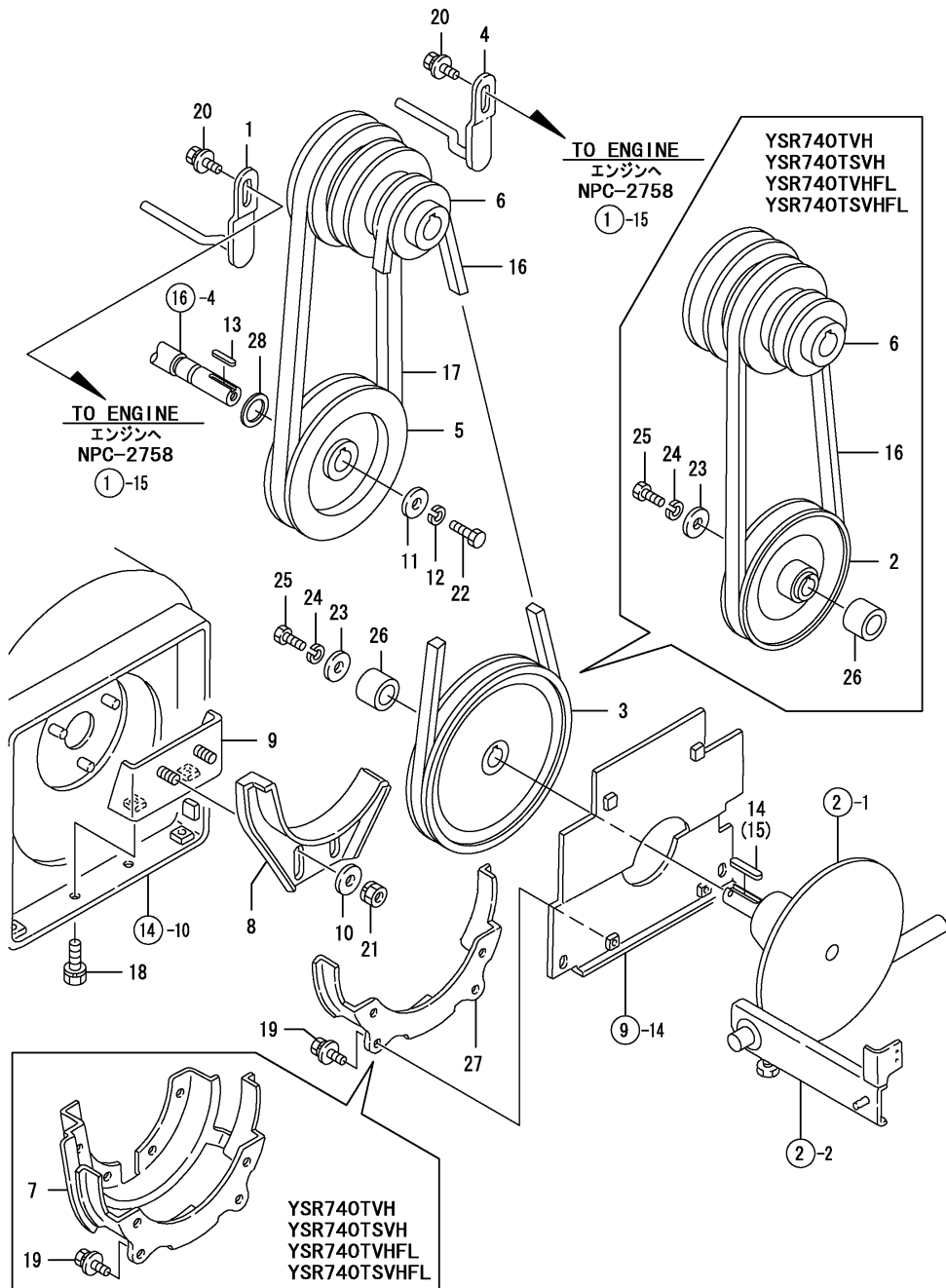
OCNP2-G75500 2. TRAVEL CLUTCH

(A)=YSR740TV  
(B)=YSR740TVH  
(C)=YSR740TSV

(D)=YSR740TSVH  
(E)=YSR740TV-HFL  
(F)=YSR740TSVHFL

REF.	LEV.	PARTS NO.	DESCRIPTION	Q'TY						I	R
				(A)	(B)	(C)	(D)	(E)	(F)		
1	1	1N1711-12071	SHAFT COMP.,PULLEY	1	1	1	1	1	1		
2	1	1N1710-12101	HOUSING COMP.,CLUTCH	1	1	1	1	1	1		
3	1	1N1711-12090	COLLAR 18X25X14	1	1	1	1	1	1		
4	1	1N1711-12142	SHAFT,AUGER TENSION	1	1	1	1	1	1		
5	1	1N1570-12200	COLLAR 18X25X40	1	1	1	1	1	1		
6	1	1N1711-12200	PULLEY,TENSION	1	1	1	1	1	1		
7	1	1N1711-12260	ARM,TRAVEL TENSION		1						
7-1	1	1N1711-12261 (B=F010059)	TENSION ARM		1		1	1	1		N
8	1	1N1711-12230	ARM,RUNNING TENSION	1		1					
8-1	1	1N1711-12231 (A=F010141)	TENSION ARM (C=F010026)	1		1					N
9	1	1N1710-12240	PLATE A,CAM	1	1	1		1	1		
9-1	1	1N1710-12241 (A=F010317)	PLATE A,CAM (B=F010059)	1	1	1	1	1	1		R
			(C=F010158)				(E=F010070)		(F=F010095)		
10	1	1N1570-12280	SPRING,CLUTCH	1	1	1	1	1	1		
11	1	1N1711-12280	COLLAR 13X20X5	1	1	1	1	1	1		
12	1	1N1570-12350	SPRING,RETURN	1	1	1	1	1	1		
13	1	1N1711-12200	PULLEY,TENSION	1	1	1	1	1	1		
14	1	1N1710-12400	SPRING B,RETURN	1	1	1	1	1	1		
15	1	1J3192-40550	SPRING 86,DROPPER	1	1	1	1	1	1		
16	1	22242-000150	CIRCLIP 15	2	2	2	2	2	2		
17	1	22252-000350	CIRCLIP 35	2	2	2	2	2	2		
18	1	24104-060034	BALL BEARING	2	2	2	2	2	2		
19	1	24107-062020	BEARING 6202ZZ	2	2	2	2	2	2		
20	1	26116-080202	BOLT M 8X 20 PLATED	1	1	1					
20-1	1	26116-080252	BOLT M 8X 25 PLATED	1	1	1	1	1	1		N
			(A=F010066)				(B=F010049)		(C=F010016)		
21	1	26717-080002	NUT 8	1	1	1	1	1	1		
22	1	1N1711-12250	COLLAR 13X20X36	1	1	1	1	1	1		

Fig.3. BELT DRIVE

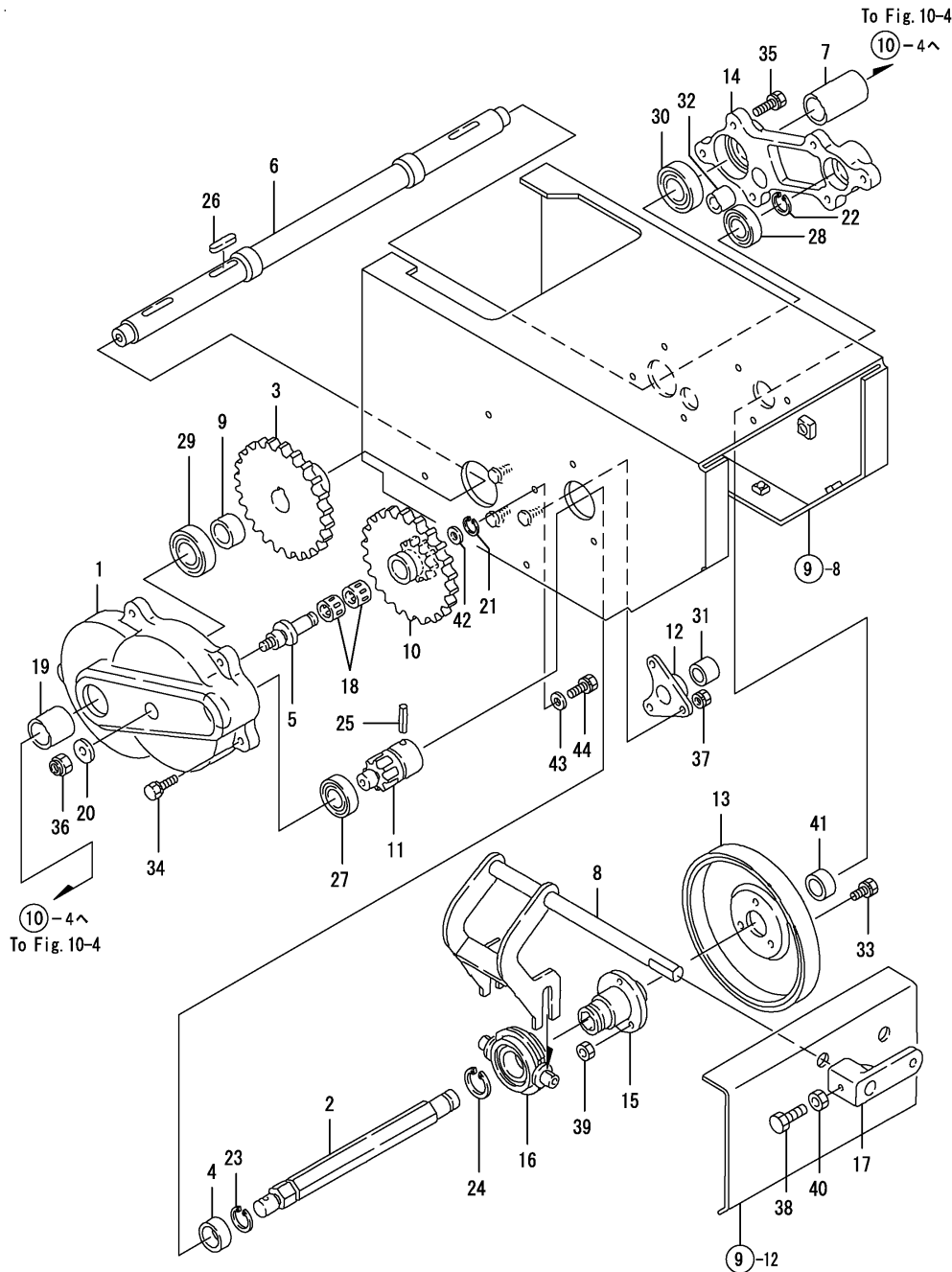


(A)=YSR740TV  
(B)=YSR740TVH  
(C)=YSR740TSV

(D)=YSR740TSVH  
(E)=YSR740TV-HFL  
(F)=YSR740TSVHFL

REF.	LEV.	PARTS NO.	DESCRIPTION	Q'TY						I	R
				(A)	(B)	(C)	(D)	(E)	(F)		
1	1	1N1713-12000	RETAINER A,BELT	1	1	1	1	1	1		
2	1	1N1711-12020	PULLEY 125A COMP.		1		1	1	1		
3	1	1N1711-12030	PULLEY 160A COMPL	1		1					
4	1	1N1713-12030	RETAINER B,BELT	1	1	1	1	1	1		
5	1	1N1711-12010	PULLEY 128B	1	1	1	1	1	1		
6	1	1N1711-12402	ENGINE PULLEY	1	1	1	1	1	1		
7	1	1N1711-12560	GUIDE COMP.,BELT		1		1	1	1		
8	1	1N1711-13250	GUIDE,PULLEY	1	1	1	1	1	1		
9	1	1N1711-13201	STAY,GUIDE	1	1	1	1	1	1		
10	1	22137-080000	WASHER 8, POLISHED	2	2	2	2	2	2		
11	1	22157-080000	WASHER 8	1	1	1	1	1	1		
I 11-1	1	1J3940-14250	WASHER 8.5X30X4.5	1	1	1	1	1	1		N
		(A=F010500)	(B=F010059)	(C=F010267)	(D=F010001)	(E=F010430)	(F=F010185)				
12	1	22217-080000	SPRING WASHER 8	1	1	1	1	1	1		
13	1	22512-050300	KEY 5X 30	1	1	1	1	1	1		
14	1	22512-050160	KEY 5X16,FEATHER	1							
15	1	22512-050180	KEY 5X 18		1		1	1	1		
16	1	25122-003301	V-BELT SP.A 33H	1	1	1	1	1	1		
17	1	25123-002901	V-BELT	1	1	1	1	1	1		
18	1	26016-080162	BOLT M 8X 16	2	2	2	2	2	2		
19	1	26018-060124	BOLT M 6X 12	2	2	2	2	2	2		
20	1	26018-080204	BOLT M 8X 20	2	2	2	2	2	2		
21	1	26051-080002	NUT M 8	2	2	2	2	2	2		
22	1	26116-080252	BOLT M 8X 25 PLATED	1	1	1	1	1	1		
23	1	22157-080000	WASHER 8	1	1	1	1	1	1		
24	1	22217-080000	SPRING WASHER 8	1	1	1	1	1	1		
25	1	26116-080252	BOLT M 8X 25 PLATED	1	1	1	1	1	1		
26	1	1N1713-12050	COLLAR 18X25X19	1	1	1	1	1	1		
27	1	1N1710-82251	GUIDE,BELT	1		1					
I 28	1	1N1723-12400	SPACER, 17X25X2	1	1	1	1	1	1		W
		(A=F010500)	(B=F010059)	(C=F010267)	(D=F010001)	(E=F010430)	(F=F010185)				

Fig.4. TRAVEL DRIVE



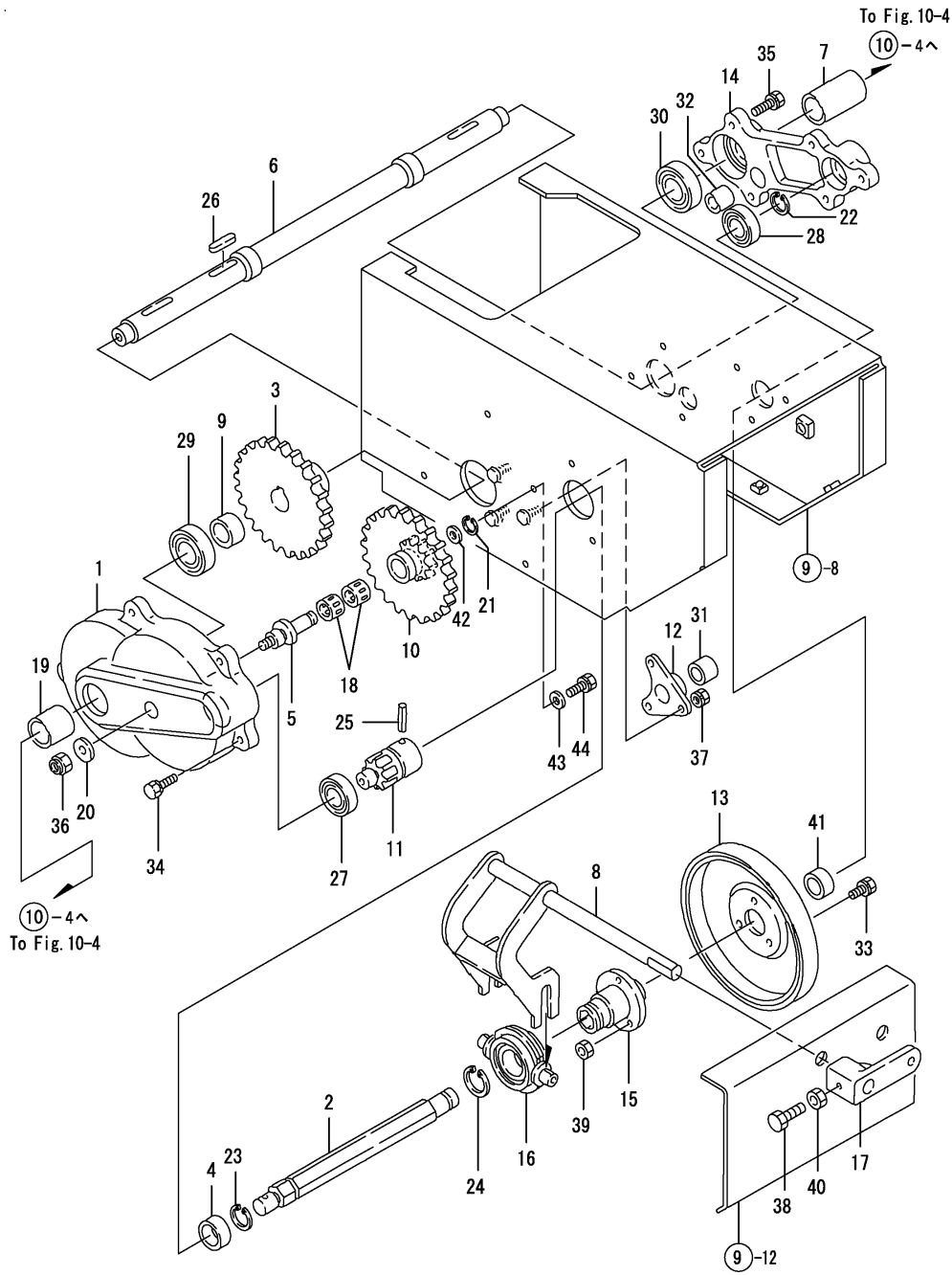
(A)=YSR740TV  
(B)=YSR740TVH  
(C)=YSR740TSV

(D)=YSR740TSVH  
(E)=YSR740TV-HFL  
(F)=YSR740TSVHFL

REF.	LEV.	PARTS NO.	DESCRIPTION	QTY						I	R
				(A)	(B)	(C)	(D)	(E)	(F)		
1	1	1N1710-21001	CASE,REDUCTION GEAR	1	1	1	1	1	1		
2	1	1N1711-21002	SHAFT,SLIDE	1	1	1	1	1	1		
3	1	1N1710-21010	GEAR,SPUR	1	1	1	1	1	1		
4	1	1N1711-21010	COLLAR	1	1	1	1	1	1		
5	1	1N1710-21022	SHAFT,NEEDLE	1	1	1	1	1	1		
I	5-1	1	1N1710-21023	SHAFT,NEEDLE	1	1	1	1	1	1	N
		(A=FXXXXXX) (B=FXXXXXX) (C=FXXXXXX) (D=FXXXXXX) (E=FXXXXXX) (F=FXXXXXX)									
I	5-2	1	1N1710-21024	SHAFT,NEEDLE	1	1	1	1	1	1	N
		(A=F010789) (B=FXXXXXX) (C=F010436) (D=FXXXXXX) (E=F010530) (F=F010235)									
6	1	1N1710-21030	SHAFT COMPL.,DRIVE	1	1	1	1	1	1		
7	1	1N1710-21050	COLLAR 21X27X52	1	1	1	1	1	1		
8	1	1N1711-21050	LEVER,CHANGE	1	1	1	1	1	1		
9	1	1N1570-21070	COLLAR 21X27X13	1	1	1	1	1	1		
10	1	1N1570-21090	GEAR,2-STAGE SPUR	1	1	1	1	1	1		
11	1	1N1570-21100	PINION	1	1	1	1	1	1		
12	1	1N1570-21170	FLANGE	1	1	1	1	1	1		
13	1	1N1570-21200	PLATE,FRICTION	1	1	1	1	1	1		
14	1	1N1710-21202	CASE,BEARING	1	1	1	1	1	1		
15	1	1N1720-21211	SEAT,FRICT'N PL.MTG.	1	1	1	1	1	1		
16	1	1N1570-21300	SLIDER,CLUTCH	1	1	1	1	1	1		
17	1	1N1710-21320	PLATE C,CAM	1	1	1	1	1	1		
18	1	1N1570-21600	BEARING	2	2	2	2	2	2		
19	1	1N1570-38020	COLLAR 21X27X26	1	1	1	1	1	1		
20	1	22157-080000	WASHER 8	1	1	1	1	1	1		
21	1	22242-000120	CIRCLIP 12	1	1	1	1	1	1		
22	1	22242-000150	CIRCLIP 15	1	1	1	1	1	1		
23	1	22242-000190	CIRCLIP 19	1	1	1	1	1	1		
24	1	22242-000250	CIRCLIP 25S	1	1	1	1	1	1		
25	1	22351-060025	SPRING PIN 6X25	1	1	1	1	1	1		
26	1	22512-050300	KEY 5X 30	1	1	1	1	1	1		
27	1	24104-060024	BALL BEARING 6002UU	1	1	1	1	1	1		
28	1	24104-062024	BALL BEARING	1	1	1	1	1	1		
29	1	24104-060044	BALL BEARING	1	1	1	1	1	1		
30	1	24104-060044	BALL BEARING	1	1	1	1	1	1		
31	1	24550-015150	BUSH 15X15	1	1	1	1	1	1		
32	1	24550-015150	BUSH 15X15	1	1	1	1	1	1		
33	1	26016-060164	BOLT 6X16 W/L.W.	3	3	3	3	3	3		
34	1	26016-060204	BOLT M 6X 20	5	5	5	5	5	5		
I	34-1	1	26016-060202	BOLT M 6X 20	5	5	5	5	5	5	N
		(A=F010789) (B=FXXXXXX) (C=F010436) (D=FXXXXXX) (E=F010530) (F=F010235)									
35	1	26016-060204	BOLT M 6X 20	6	6	6	6	6	6		
36	1	26347-080002	U-NUT M 8	1	1	1	1	1	1		
37	1	26051-060002	NUT M 6	3	3	3	3	3	3		
38	1	26116-080202	BOLT M 8X 20 PLATED	1	1	1	1	1	1		
38-1	1	26116-080252	BOLT M 8X 25 PLATED	1	1	1	1	1	1	1	N
		(A=F010066) (B=F010049) (C=F010016)									
39	1	26717-060002	NUT M 6	3	3	3	3	3	3		
40	1	26717-080002	NUT 8	1	1	1	1	1	1		
41	1	1N1711-21081	COLLAR 15X25X5	1	1	1	1	1	1		
I	42	1	22117-120000	WASHER 12	1	1	1	1	1	1	W
		(A=F010789) (B=FXXXXXX) (C=F010436) (D=FXXXXXX) (E=F010530) (F=F010235)									

N:Old  $\xrightarrow{\text{Yes}}$  New, Q:Old  $\xrightarrow{\text{No}}$  New, R:Old  $\xrightarrow{\text{Yes}}$  New, S:Old  $\xrightarrow{\text{No}}$  New, W:Add, Z:Discontinued, F:Interchangeable by set, K:Q'ty Change  
 ++ CONTINUE ++  
 (C)Copy Rights YANMAR CO.,LTD.

Fig.4. TRAVEL DRIVE



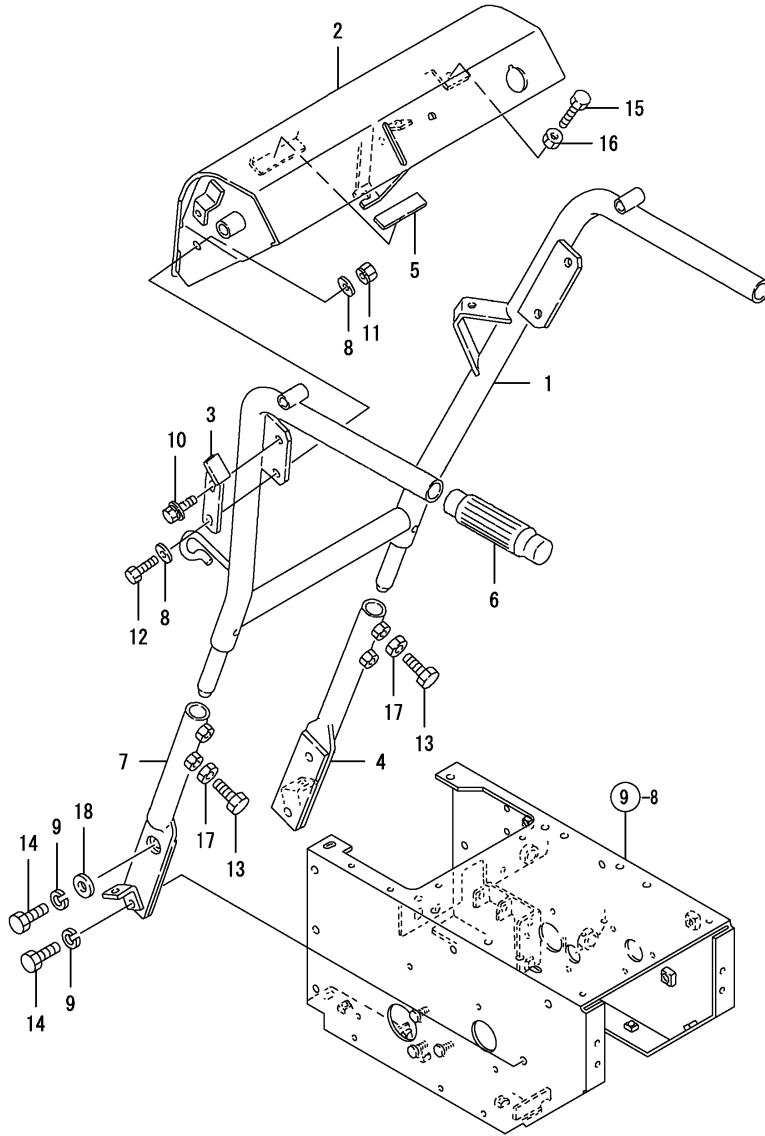
0CNP2-G75500 4. TRAVEL DRIVE

(A)=YSR740TV  
(B)=YSR740TVH  
(C)=YSR740TSV

(D)=YSR740TSVH  
(E)=YSR740TV-HFL  
(F)=YSR740TSVHFL

REF.	LEV.	PARTS NO.	DESCRIPTION	QTY						I	R
				(A)	(B)	(C)	(D)	(E)	(F)		
I	43	1 22157-060000 (A=F010789)	WASHER 6 (B=FXXXXXX) (C=F010436) (D=FXXXXXX)	1	1	1	1	1	1	1	W
I	44	1 26016-060162 (A=F010789)	BOLT M 6X 16 (B=FXXXXXX) (C=F010436) (D=FXXXXXX)	1	1	1	1	1	1	1	W

Fig.5. HANDLE



OCNP2-G75500 5. HANDLE

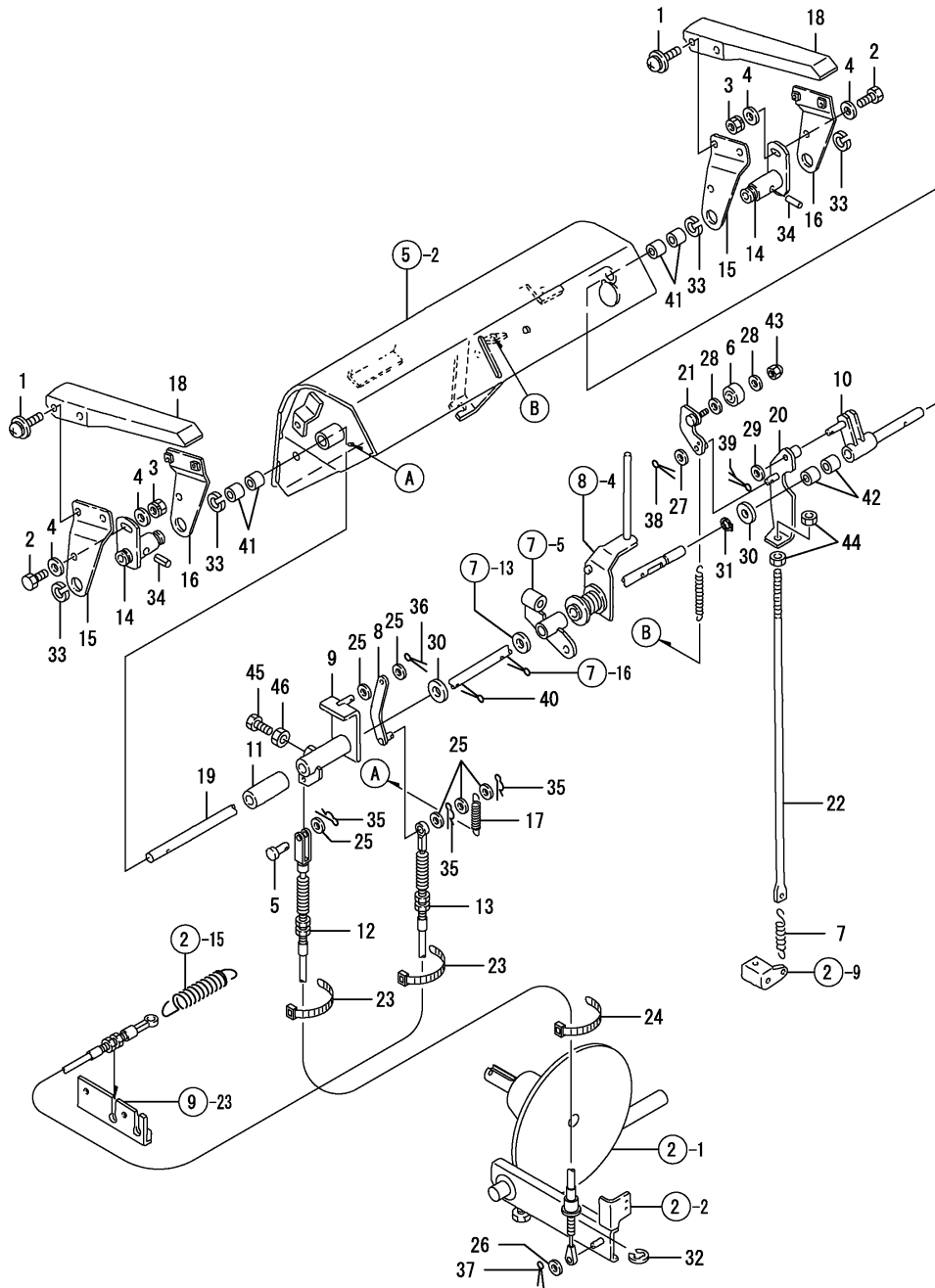
(A)=YSR740TV  
(B)=YSR740TVH  
(C)=YSR740TSV

(D)=YSR740TSVH  
(E)=YSR740TV-HFL  
(F)=YSR740TSVHFL

REF.	LEV.	PARTS NO.	DESCRIPTION	Q'TY						I	R
				(A)	(B)	(C)	(D)	(E)	(F)		
1	1	1N1723-30501	HANDLE COMPL.	1	1	1	1	1	1		
2	1	7N1713-30050	PL.AS.,CONT.BOX CMP.	1	1	1		1	1		
2-1	1	7N1713-30051	PL.AS.,CONT.BOX CMP.	1	1	1	1	1	1	1	N
3	1	(A=F010234) 1N1723-30660	(B=F010059) STOPPER,DEADMAN	(C=F010100) 1	(E=F010070) 1	(F=F010095) 1	1	1	1	1	1
4	1	1N1711-35110	SUPPORT R CMP,HANDLE	1	1	1	1	1	1	1	
5	1	1N1723-30680	RUBBER,STOPPER	1	1	1	1	1	1	1	
6	1	1N1710-82140	GRIP BK-8,HANDLE	2	2	2	2	2	2	2	
7	1	1N1711-35051	SUPPORT LC CMP,HNDL.	1	1	1	1	1	1	1	
8	1	22137-080000	WASHER 8, POLISHED	2	2	2	2	2	2	2	
9	1	22217-100000	SPRING WASHER 10	4	4	4	4	4	4	4	
10	1	26018-080164	BOLT M 8X 16	2	2	2	2	2	2	2	
11	1	26051-080002	NUT M 8	1	1	1	1	1	1	1	
12	1	26117-080202	BOLT M 8X 20 PLATED	1	1	1	1	1	1	1	
13	1	26116-100252	BOLT M10X 25 PLATED	4	4	4	4	4	4	4	
14	1	26116-100302	BOLT 10X30	4	4	4	4	4	4	4	
15	1	26117-080304	BOLT M 8X 30 PLATED	1	1	1	1	1	1	1	
16	1	26717-080002	NUT 8	1	1	1	1	1	1	1	
17	1	26717-100002	NUT M10	4	4	4	4	4	4	4	
18	1	1N1713-30070	COLLAR 11X18X5	2	2	2	2	2	2	2	



Fig.6. CLUTCH CONTROL

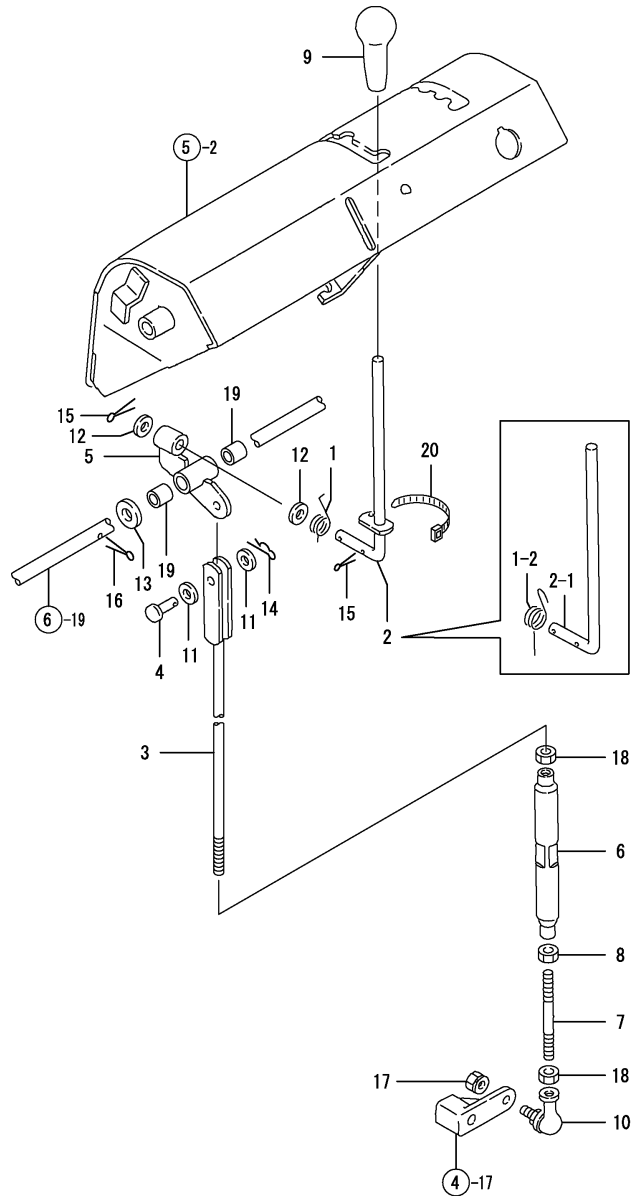


(A)=YSR740TV  
(B)=YSR740TVH  
(C)=YSR740TSV

(D)=YSR740TSVH  
(E)=YSR740TV-HFL  
(F)=YSR740TSVHFL

REF.	LEV.	PARTS NO.	DESCRIPTION	QTY						I	R
				(A)	(B)	(C)	(D)	(E)	(F)		
1	1	1J3999-00250	SCREW 6X16D,PHM/C	8	8	8	8	8	8		
2	1	1J3999-00260	BOLT 6X16	2	2	2	2	2	2		
3	1	1J3999-01050	NUT 6 W/SP.WASHER	2	2	2	2	2	2		
4	1	1J3999-02110	WASHER 6,ROUND	4	4	4	4	4	4		
5	1	1J3999-05010	PIN 6X14 FLAT HEAD	1	1	1	1	1	1		
6	1	1J3999-06000	BEARING 626-2NSL	1	1	1	1	1	1		
7	1	1N1713-31010	SPRING 19X90	1	1	1	1	1	1		
8	1	1N1723-31010	BRACKET	1	1	1	1	1	1		
8-1	1	1N1723-31011	RETAINER	1	1	1	1	1	1		R
		(A=F010066)	(B=F010049)	(C=F010016)							
9	1	1N1713-31050	FITTINGS,MAIN CLUTCH	1	1	1	1	1	1		
10	1	1N1723-31050	SHAFT CMP,AGR.CLUTCH	1	1	1	1	1	1		
11	1	1N1713-31070	COLLAR 12X20X51	1	1	1	1	1	1		
12	1	1N1713-31080	WIRE TE,CLUTCH	1	1	1	1	1	1		
13	1	1N1713-31090	WIRE TE,TRAVEL	1	1	1	1	1	1		
14	1	1N1723-31270	BOSS COMP.,DEADMAN	2	2	2	2	2	2		
15	1	1N1723-31300	PLATE L,CLUTCH	2	2	2	2	2	2		
16	1	1N1723-31310	PLATE R,CLUTCH	2	2	2	2	2	2		
17	1	1N1723-31350	SPRING,RETURN	2	2	2	2	2	2		
18	1	1N1723-31360	LEVER,DEADMAN	2	2	2	2	2	2		
19	1	1N1723-31371	SHAFT, CLUTCH	1	1	1	1	1	1		
20	1	1N1723-31380	ARM COMP.,AGR.CLUTCH	1	1	1	1	1	1		
21	1	1N1723-31390	CLAW CMP.,AGR.CLUTCH	1	1	1	1	1	1		
22	1	1N1723-31501	BOLT M8X515,JOINT	1	1	1	1	1	1		
23	1	1E6460-83400	BAND 100	2	2	2	2	2	2		
24	1	1E6102-84970	BAND 140,WIRE LOCK	1	1	1	1	1	1		
25	1	22117-060000	WASHER 6	6	6	6	6	6	6		
26	1	22117-060000	WASHER 6	1	1	1	1	1	1		
27	1	22117-060000	WASHER 6	1	1	1	1	1	1		
28	1	22117-060000	WASHER 6	2	2	2	2	2	2		
29	1	22117-080000	WASHER 8	1	1	1	1	1	1		
30	1	22117-120000	WASHER 12	2	2	2	2	2	2		
31	1	22242-000120	CIRCLIP 12	1	1	1	1	1	1		
32	1	22272-000070	CIRCLIP E- 7	1	1	1	1	1	1		
33	1	22292-000170	CIRCLIP S-17	4	4	4	4	4	4		
34	1	22351-050020	SPRING PIN 5X20	2	2	2	2	2	2		
35	1	22372-060000	SNAP PIN 6	3	3	3	3	3	3		
36	1	22417-200120	COTTER PIN 2.0X12	1	1	1	1	1	1		
37	1	22417-200120	COTTER PIN 2.0X12	1	1	1	1	1	1		
38	1	22417-200120	COTTER PIN 2.0X12	1	1	1	1	1	1		
39	1	22417-200160	COTTER PIN 2.0X16	1	1	1	1	1	1		
40	1	22417-320250	COTTER PIN 3.2X25	1	1	1	1	1	1		
41	1	24550-012150	BUSH 12X15	4	4	4	4	4	4		
42	1	24550-012150	BUSH 12X15	2	2	2	2	2	2		
43	1	26347-060002	U-NUT M 6	1	1	1	1	1	1		
44	1	26717-080002	NUT 8	2	2	2	2	2	2		
45	1	26116-080252	BOLT M 8X 25 PLATED	1	1	1	1	1	1		
46	1	26717-080002	NUT 8	1	1	1	1	1	1		

Fig.7. CHANGE CONTROL



OCNP2-G75500 7. CHANGE CONTROL

(A)=YSR740TV  
(B)=YSR740TVH  
(C)=YSR740TSV

(D)=YSR740TSVH  
(E)=YSR740TV-HFL  
(F)=YSR740TSVHFL

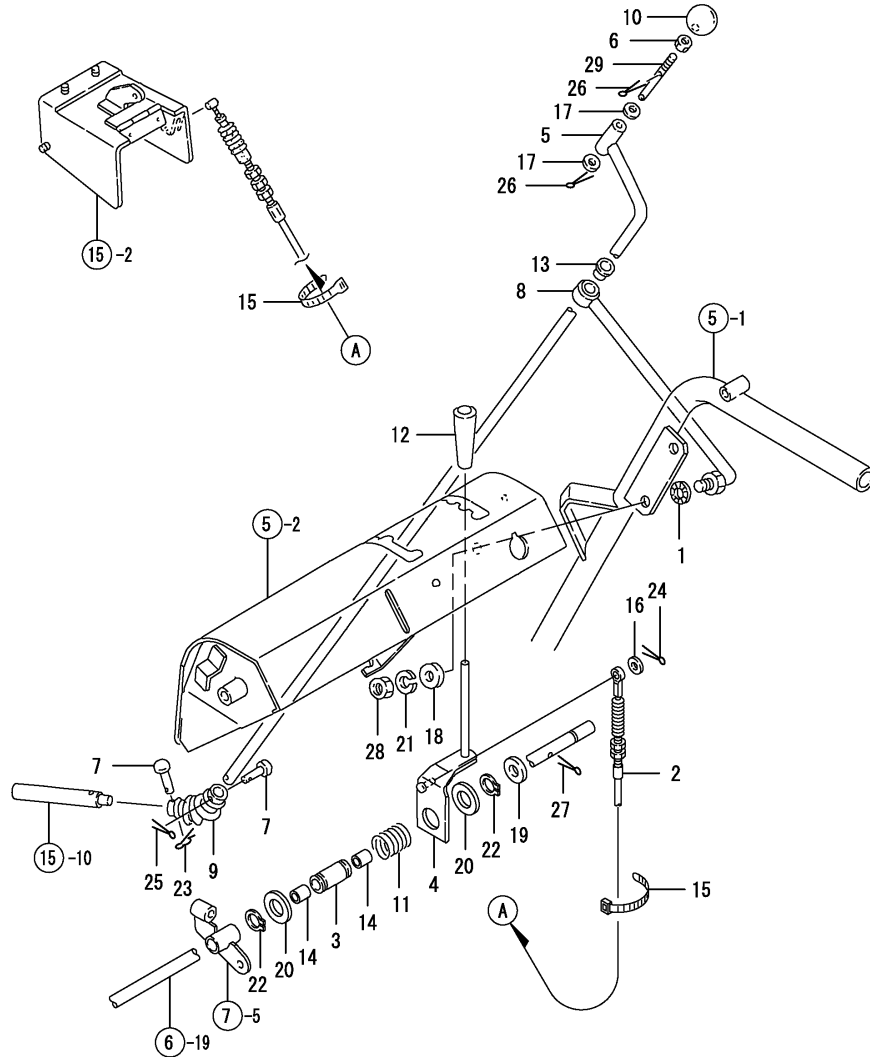
REF.	LEV.	PARTS NO.	DESCRIPTION	QTY						I	R
				(A)	(B)	(C)	(D)	(E)	(F)		
1	1	1N1723-32001	SPRING,CHANGE LEVER	1	1	1					
1-1	1	1N1723-32002	SPRING,CHANGE LEVER	1	1	1					N
		(A=F010066) (B=F010049) (C=F010016)									
1-2	1	1N1723-32003	SPRING,CHANGE LEVER	1	1	1	1	1	1	1	N
		(A=F010141) (B=F010059) (C=F010026)									
2	1	1N1723-32010	LEVER CMP.,CHG.LEVER	1	1	1					
2-1	1	1N1723-32070	LEVER,CHANGE	1	1	1	1	1	1	1	S
		(A=F010141) (B=F010059) (C=F010026)									
3	1	1N1723-32030	ROD COMP.,CHANGE	1	1	1				1	1
3-1	1	1N1723-32031	ROD COMP.,CHANGE	1	1	1	1	1	1	1	N
		(A=F010317) (B=F010059) (C=F010158)					(E=F010070)			(F=F010095)	
4	1	1N1723-32060	RIVET 8X18	1	1	1	1	1	1	1	
5	1	1N1723-32080	SEAT,CHANGE	1	1	1	1	1	1	1	
6	1	1N1570-32290	TURNBUCKLE	1	1	1	1	1	1	1	
7	1	1N1570-32320	ROD B,CHANGE LEVER	1	1	1	1	1	1	1	
8	1	1N1570-32950	NUT 8	1	1	1	1	1	1	1	
9	1	1A1040-58160	GRIP, LEVER	1	1	1	1	1	1	1	
10	1	1S6002-61160	BALL 8,LINK	1	1	1	1	1	1	1	
11	1	22117-080000	WASHER 8	2	2	2	2	2	2	2	
12	1	22117-100000	WASHER 10	2	2	2	2	2	2	2	
13	1	22117-120000	WASHER 12	1	1	1	1	1	1	1	
14	1	22372-080000	SNAP PIN (JASO 8)	1	1	1	1	1	1	1	
15	1	22417-200160	COTTER PIN 2.0X16	2	2	2	2	2	2	2	
16	1	22417-320250	COTTER PIN 3.2X25	1	1	1	1	1	1	1	
17	1	26051-080002	NUT M 8	1	1	1	1	1	1	1	
18	1	26717-080002	NUT 8	2	2	2	2	2	2	2	
19	1	24550-012150	BUSH 12X15	2	2	2	2	2	2	2	
20	1	1E6460-83400	BAND 100	1	1	1					W 1
		(A=F010066) (B=F010049) (C=F010016)									
20-1	1	1E6460-83400	BAND 100	1	1	1					Z
		(A=F010141) (B=F010059) (C=F010026)									

Remarks  
(1)REF NO.20 MUST BE USED WITH  
REF NO.1-1 AT THE SAME TIME.

Fig.8. SNOW THROW UP CONTROL

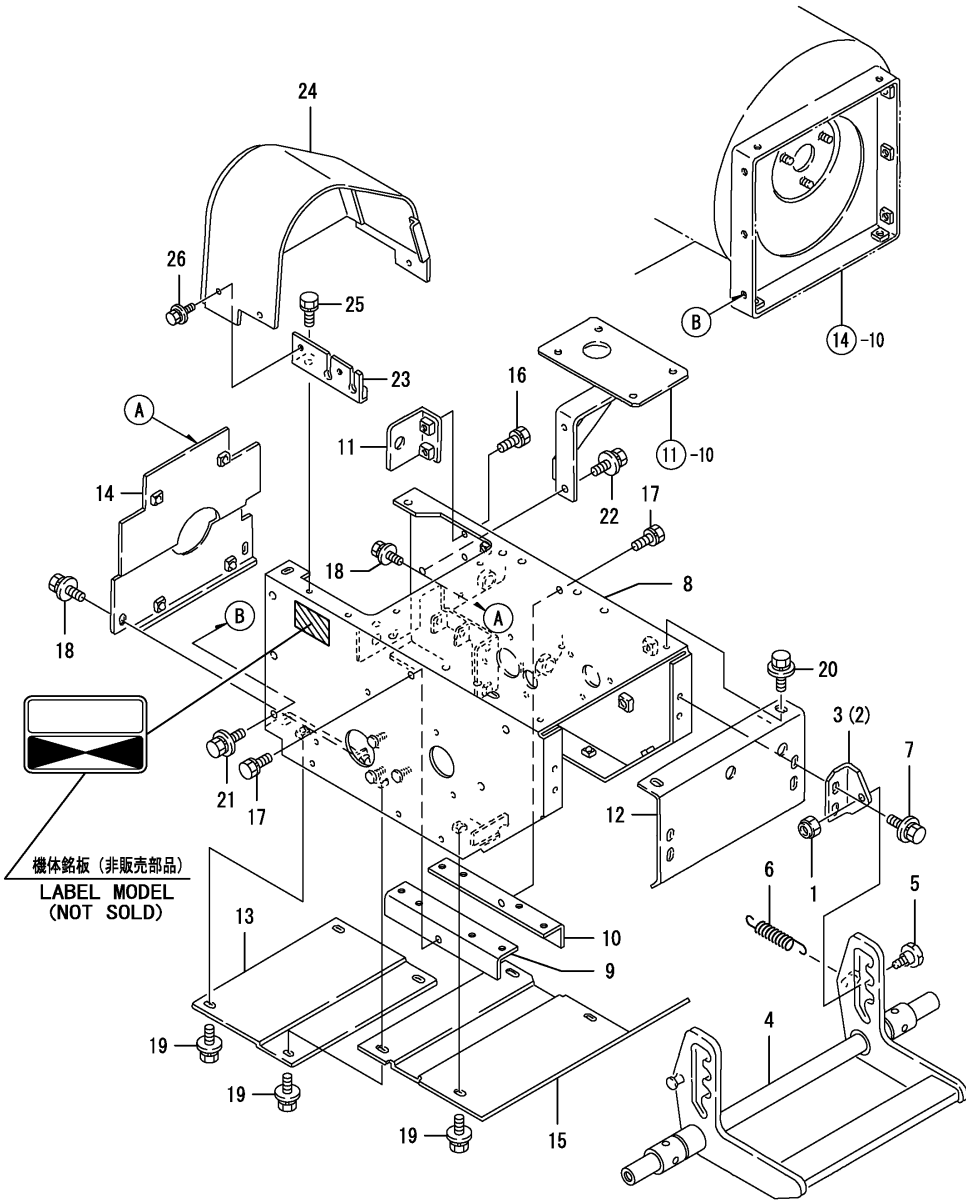
(A)=YSR740TV  
(B)=YSR740TVH  
(C)=YSR740TSV

(D)=YSR740TSVH  
(E)=YSR740TV-HFL  
(F)=YSR740TSVHFL



REF.	LEV.	PARTS NO.	DESCRIPTION	QTY						I	R
				(A)	(B)	(C)	(D)	(E)	(F)		
1	1	1J3999-02130	WASHER 12,TOOTHED	1	1	1	1	1	1		
I 1-1	1	22232-120000	SPRING WASHER 12	1	1	1	1	1	1	1	N
		(A=F010317) (B=FXXXXXX) (C=F010158) (D=FXXXXXX) (E=F010070) (F=FXXXXXX)									
2	1	1N1723-34000	WIRE,CHUTE ADJUSTING	1	1	1	1	1	1	1	
3	1	1N1723-34010	COLLAR,CHUTE LEVER	1	1	1	1	1	1	1	
4	1	1N1723-34020	LEVER,CHUTE	1	1	1	1	1	1	1	
5	1	1N1713-34050	HANDLE COMP.,CHUTE	1	1	1	1	1	1	1	
6	1	26717-080002	NUT 8	1	1	1	1	1	1	1	
7	1	1N1723-34100	RIVET 4X22	2	2	2	2	2	2	2	
8	1	1N1713-34070	STAY CMP,CHUTE HANDL	1	1	1	1	1	1	1	
I 8-1	1	1N1713-34071	STAY CMP,CHUTE HANDL	1	1	1	1	1	1	1	N
		(A=F010317) (B=FXXXXXX) (C=F010158) (D=FXXXXXX) (E=F010070) (F=FXXXXXX)									
9	1	1N1723-34141	JOINT,UNITERALSAL	1	1	1	1	1	1	1	
10	1	1N1723-34150	GRIP,CHUTE HANDLE	1	1	1	1	1	1	1	
11	1	1N1723-34160	SPRING 27X35	1	1	1	1	1	1	1	
12	1	1A1140-58050	GRIP, STAND	1	1	1	1	1	1	1	
13	1	1S6240-63810	DBS 1215-20F	1	1	1	1	1	1	1	
14	1	24550-012150	BUSH 12X15	2	2	2	2	2	2	2	
15	1	1E6460-83400	BAND 100	2	2	2	2	2	2	2	
16	1	22117-060000	WASHER 6	1	1	1	1	1	1	1	
17	1	22117-080000	WASHER 8	2	2	2	2	2	2	2	
I 18	1	22137-120000	WASHER 12,POLISHED	1	1	1	1	1	1	1	Z
		(A=F010317) (B=FXXXXXX) (C=F010158) (D=FXXXXXX) (E=F010070) (F=FXXXXXX)									
19	1	22117-120000	WASHER 12	1	1	1	1	1	1	1	
20	1	22137-200000	WASHER 20,POLISHED	2	2	2	2	2	2	2	
21	1	22217-120000	SPRING WASHER 12	1	1	1	1	1	1	1	
I 21-1	1	22232-120000	SPRING WASHER 12	1	1	1	1	1	1	1	N
		(A=F010317) (B=FXXXXXX) (C=F010158) (D=FXXXXXX) (E=F010070) (F=FXXXXXX)									
22	1	22242-000200	CIRCLIP 20	2	2	2	2	2	2	2	
23	1	22372-040000	SNAP PIN 4	1	1	1	1	1	1	1	
24	1	22417-200120	COTTER PIN 2.0X12	1	1	1	1	1	1	1	
25	1	22417-200120	COTTER PIN 2.0X12	1	1	1	1	1	1	1	
26	1	22417-200160	COTTER PIN 2.0X16	2	2	2	2	2	2	2	
27	1	22417-320250	COTTER PIN 3.2X25	1	1	1	1	1	1	1	
28	1	26717-120002	NUT M12	1	1	1	1	1	1	1	
I 28-1	1	26367-120002	U-NUT M12	1	1	1	1	1	1	1	N
		(A=F010317) (B=FXXXXXX) (C=F010158) (D=FXXXXXX) (E=F010070) (F=FXXXXXX)									
29	1	1N1723-34170	SHAFT,CHUTE HANDLE	1	1	1	1	1	1	1	

Fig.9. CHASSIS

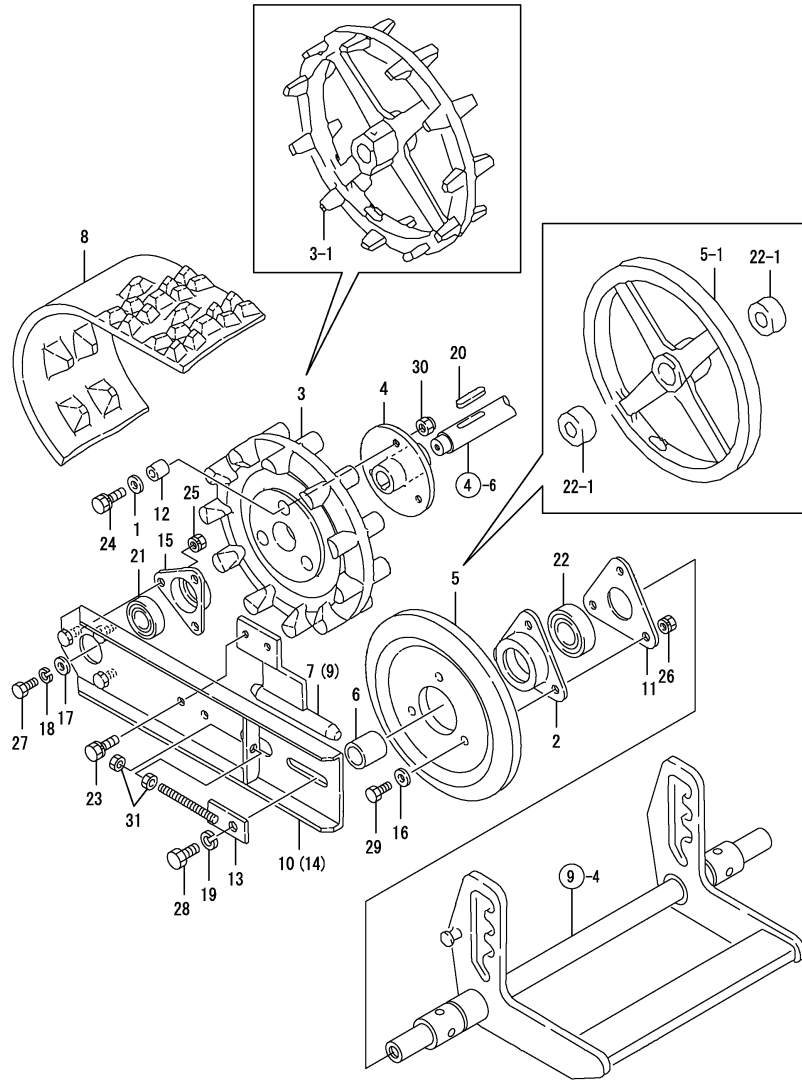


(A)=YSR740TV  
(B)=YSR740TVH  
(C)=YSR740TSV

(D)=YSR740TSVH  
(E)=YSR740TV-HFL  
(F)=YSR740TSVHFL

REF.	LEV.	PARTS NO.	DESCRIPTION	Q'TY						I	R
				(A)	(B)	(C)	(D)	(E)	(F)		
1	1	1J3999-01090	U-NUT M8	2	2	2	2	2	2		
2	1	1N1711-36230	FIXTURE L	1	1	1	1	1	1		
3	1	1N1711-36240	FIXTURE R	1	1	1	1	1	1		
4	1	1N1711-36300	PEDAL COMP.,FOOT	1	1	1	1	1	1		
5	1	1N1570-36351	BOLT,REAMER	2	2	2	2	2	2		
6	1	1N1711-36350	SPRING,FOOT	2	2	2	2	2	2		
7	1	26018-080204	BOLT M 8X 20	4	4	4		4	4		
7-1	1	26018-080252	BOLT M8X 25	4	4	4	4	4	4		N
		(A=F010317) (B=F010059) (C=F010158)				(E=F010070)			(F=F010095)		
8	1	1N1711-36001	CHASSIS COMPL.	1	1	1	1	1	1		
I 8-1	1	1N1711-36002	CHASSIS COMPL.	1	1	1	1	1	1		N
		(A=F010789) (B=FXXXXXX) (C=F010436) (D=FXXXXXX)				(E=F010530)			(F=F010235)		
9	1	1N1710-36060	BASE L,ENGINE	1	1	1	1	1	1		
10	1	1N1710-36080	BASE R,ENGINE	1	1	1	1	1	1		
11	1	1N1711-36110	SUPPORT,TENSION	1	1	1	1	1	1		
12	1	1N1711-36150	PLATE R,CHASSIS	1	1	1	1	1	1		
13	1	1N1711-36191	PLATE A,BOTTOM	1	1	1	1	1	1		
14	1	1N1710-36201	PLATE,SHUT-OFF	1	1	1	1	1	1		
15	1	1N1711-36201	PLATE B,CHASSIS BTM	1	1	1	1	1	1		
16	1	26016-060124	BOLT 6X12 W/L.W.	2	2	2	2	2	2		
17	1	26016-080164	BOLT M 8X 16	2	2	2	2	2	2		
18	1	26018-060124	BOLT M 6X 12	4	4	4	4	4	4		
19	1	26018-060124	BOLT M 6X 12	8	8	8	8	8	8		
20	1	26018-080164	BOLT M 8X 16	2	2	2	2	2	2		
21	1	26018-080164	BOLT M 8X 16	8	8	8	8	8	8		
22	1	26018-080204	BOLT M 8X 20	2	2	2	2	2	2		
23	1	1N1711-36090	METAL,WIRE LOCK	1	1	1	1	1	1		
24	1	7N1713-36400	PL.AS.,BELT CVR.CMP.	1	1	1	1	1	1		
I 24-1	1	7N1713-37050	PL.AS.,BELT CVR.CMP.	1	1	1	1	1	1		N
		(A=F010868) (B=FXXXXXX) (C=FXXXXXX) (D=FXXXXXX)				(E=FXXXXXX)			(F=F010295)		
25	1	26016-060164	BOLT 6X16 W/L.W.	2	2	2	2	2	2		
26	1	26018-060124	BOLT M 6X 12	3	3	3	3	3	3		

Fig.10. CRAWLER



Remarks  
 (1)REF.NO.3-1 IS INTERCHANGEABLE WITH A SET OF REF.NOS.3,1-1,4,12,24-1 & 30.  
 (2)REF.NOS.5-1 & 22-1 ARE A SET AND INTERCHANGEABLE WITH A SET OF REF. NOS.5,22,2,6,11,16-2,26-1 & 29-2.

(A)=YSR740TV  
 (B)=YSR740TVH  
 (C)=YSR740TSV

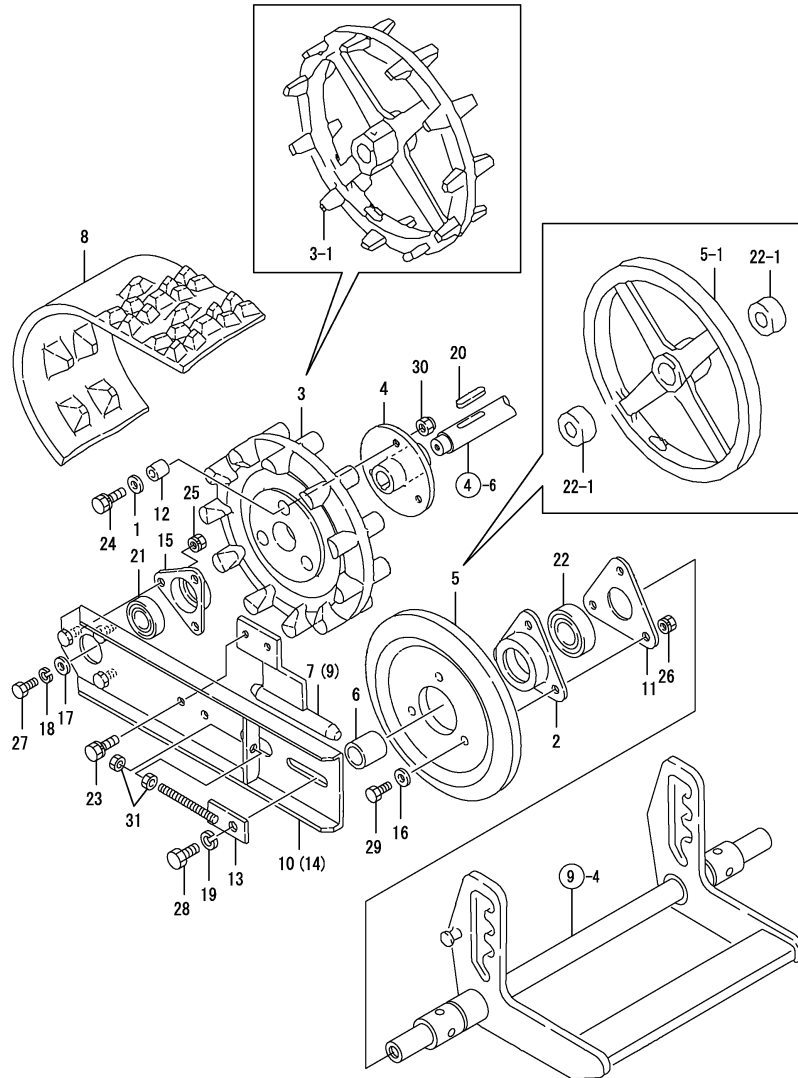
(D)=YSR740TSVH  
 (E)=YSR740TV-HFL  
 (F)=YSR740TSVHFL

REF.	LEV.	PARTS NO.	DESCRIPTION	QTY						I	R
				(A)	(B)	(C)	(D)	(E)	(F)		
1	1	1J3999-02020	WASHER 8	6	6	6		6	6		
1-1	1	1J3999-02050	WASHER	6	6	6	6	6	6	6	N
		(A=F010317) (B=F010059) (C=F010158)		(E=F010070)				(F=F010095)			
I	1-2	1J3999-02050	WASHER	6	6	6	6	6	6	6	Z
		(A=F010371) (B=F010041) (C=F010199) (D=F010026)		(E=F010220)				(F=FXXXXXX)			
I	2	1J3000-20020	BEARING	2	2	2	2	2	2	2	Z
		(A=F010371) (B=F010041) (C=F010199) (D=F010026)		(E=F010220)				(F=FXXXXXX)			
	3	1N1570-38000	SPROCKET 11	2	2	2	2	2	2	2	
I	3-1	1N1723-38500	SPROCKET, 11-43	2	2	2	2	2	2	2	F 1
		(A=F010371) (B=F010041) (C=F010199) (D=F010026)		(E=F010220)				(F=SEE ILLST)			
I	4	1N1710-38000	BOSS, SPROCKET	2	2	2	2	2	2	2	Z
		(A=F010371) (B=F010041) (C=F010199) (D=F010026)		(E=F010220)				(F=FXXXXXX)			
	5	1N1570-38010	RING, TOP	2	2	2	2	2	2	2	
I	5-1	1N3021-38600	WHEEL	2	2	2	2	2	2	2	F 2
		(A=F010371) (B=F010041) (C=F010199) (D=F010026)		(E=F010220)				(F=SEE ILLST)			
I	6	1N1570-38020	COLLAR 21X27X26	2	2	2	2	2	2	2	Z
		(A=F010371) (B=F010041) (C=F010199) (D=F010026)		(E=F010220)				(F=FXXXXXX)			
	7	1N1710-38020	GUIDE L	1	1	1	1	1	1	1	
	8	1N1570-38030	CRAWLER	2	2	2	2	2	2	2	
	9	1N1710-38040	GUIDE R	1	1	1	1	1	1	1	
	10	1N1570-38050	PLATE L, CRAWLER SIDE	1	1	1	1	1	1	1	
I	11	1N1570-38090	PLATE, BEARING KEEP	2	2	2	2	2	2	2	Z
		(A=F010371) (B=F010041) (C=F010199) (D=F010026)		(E=F010220)				(F=FXXXXXX)			
I	12	1N1570-38130	COLLAR 8X14X9	6	6	6	6	6	6	6	Z
		(A=F010371) (B=F010041) (C=F010199) (D=F010026)		(E=F010220)				(F=FXXXXXX)			
	13	1N1570-38151	BOLT W/PIPE	2	2	2	2	2	2	2	
	14	1N1570-38180	PLATE R, CRAWLER SIDE	1	1	1	1	1	1	1	
	15	1N1570-38210	BEARING 6203B	2	2	2	2	2	2	2	
	16	22137-080000	WASHER 8, POLISHED	6	6	6					
16-1	1	1J3999-02020	WASHER 8	6	6	6			6	6	N
		(A=F010141) (B=F010049) (C=F010026)									
16-2	1	1J3999-02050	WASHER	6	6	6	6	6	6	6	N
		(A=F010317) (B=F010059) (C=F010158)		(E=F010070)				(F=F010095)			
I	16-3	1J3999-02050	WASHER	6	6	6	6	6	6	6	Z
		(A=F010371) (B=F010041) (C=F010199) (D=F010026)		(E=F010220)				(F=FXXXXXX)			
	17	22157-080000	WASHER 8	2	2	2	2	2	2	2	
	18	22217-080000	SPRING WASHER 8	2	2	2	2	2	2	2	
	19	22217-100000	SPRING WASHER 10	2	2	2	2	2	2	2	
	20	22512-050300	KEY 5X 30	2	2	2	2	2	2	2	
	21	24104-062034	BALL BEARING	2	2	2	2	2	2	2	
	22	24104-063044	BALL BEARING	2	2	2	2	2	2	2	
I	22-1	24550-020100	BUSH	4	4	4	4	4	4	4	S
		(A=F010371) (B=F010041) (C=F010199) (D=F010026)		(E=F010220)				(F=SEE ILLST)			
	23	26016-080204	BOLT M 8X 20	4	4	4	4	4	4	4	
	24	26016-080302	BOLT M 8X 30	6	6	6					
24-1	1	26116-080304	BOLT M8 X 30 PLATED	6	6	6	6	6	6	6	N
		(A=F010141) (B=F010049) (C=F010026)									
I	24-2	26116-080304	BOLT M8 X 30 PLATED	6	6	6	6	6	6	6	Z
		(A=F010371) (B=F010041) (C=F010199) (D=F010026)		(E=F010220)				(F=FXXXXXX)			
	25	26051-080002	NUT M 8	6	6	6	6	6	6	6	
	26	26051-080002	NUT M 8	6	6	6	6	6	6	6	

Fig.10. CRAWLER

(A)=YSR740TV  
(B)=YSR740TVH  
(C)=YSR740TSV

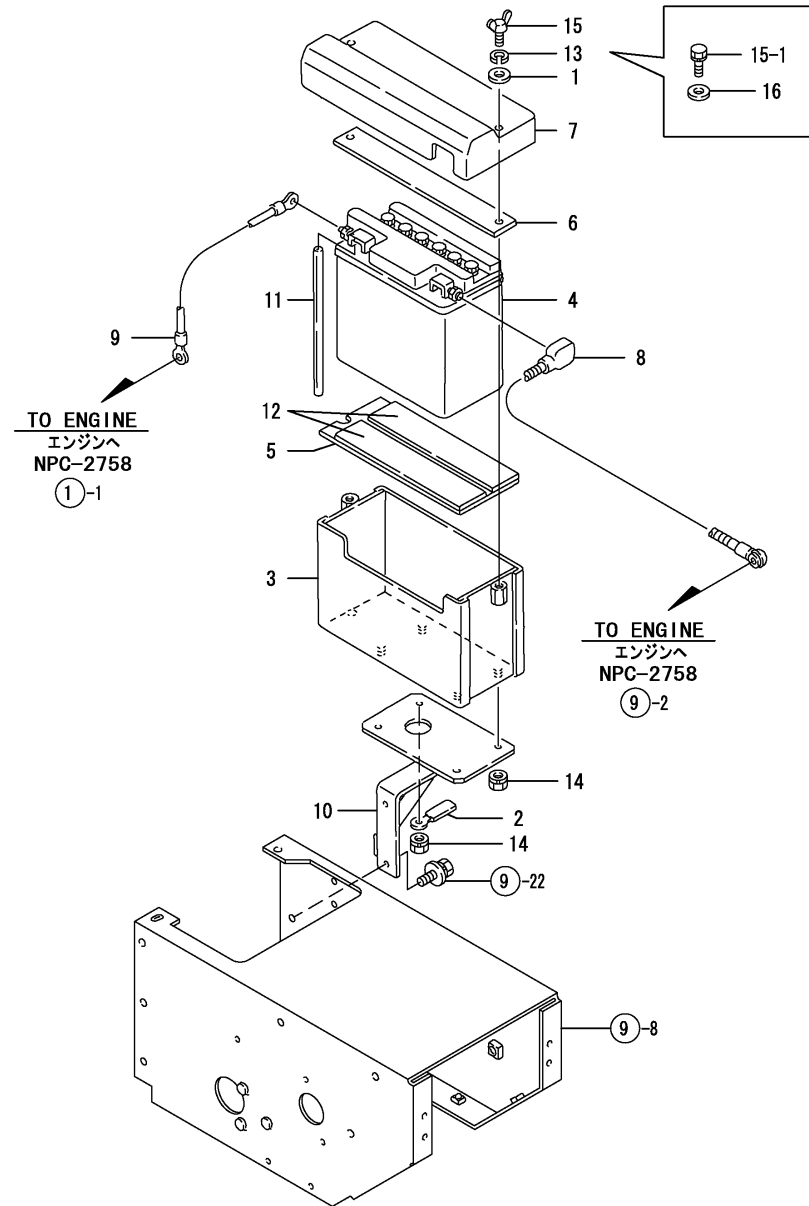
(D)=YSR740TSVH  
(E)=YSR740TV-HFL  
(F)=YSR740TSVHFL



Remarks  
 (1)REF.NO.3-1 IS INTERCHANGEABLE WITH  
 A SET OF REF.NOS.3,1-1,4,12,24-1  
 & 30.  
 (2)REF.NOS.5-1 & 22-1 ARE A SET AND  
 INTERCHANGEABLE WITH A SET OF REF.  
 NOS.5,22,2,6,11,16-2,26-1 & 29-2.

REF.	LEV.	PARTS NO.	DESCRIPTION	Q'TY						I	R
				(A)	(B)	(C)	(D)	(E)	(F)		
26-1	1	26347-080002	U-NUT M 8	6	6	6	6	6	6	N	
		(A=F010317) (B=F010059) (C=F010158)							(F=F010095)		
I 26-2	1	26347-080002	U-NUT M 8	6	6	6	6	6	6	Z	
		(A=F010371) (B=F010041) (C=F010199) (D=F010026)					(E=F010220)		(F=FXXXXXX)		
27	1	26116-080252	BOLT M 8X 25 PLATED	2	2	2	2	2	2		
28	1	26116-100252	BOLT M10X 25 PLATED	2	2	2	2	2	2		
29	1	26117-080252	BOLT M 8X 25 PLATED	6	6	6					
29-1	1	26116-080254	BOLT M 8X 25 PLATED	6	6	6			6	6	N
		(A=F010141) (B=F010049) (C=F010026)									
29-2	1	26116-080304	BOLT M8 X 30 PLATED	6	6	6	6	6	6	N	
		(A=F010317) (B=F010059) (C=F010158)					(E=F010070)		(F=F010095)		
I 29-3	1	26116-080304	BOLT M8 X 30 PLATED	6	6	6	6	6	6	Z	
		(A=F010371) (B=F010041) (C=F010199) (D=F010026)					(E=F010220)		(F=FXXXXXX)		
I 30	1	26347-080002	U-NUT M 8	6	6	6	6	6	6	Z	
		(A=F010371) (B=F010041) (C=F010199) (D=F010026)					(E=F010220)		(F=FXXXXXX)		
31	1	26717-080002	NUT 8	4	4	4	4	4	4		

Fig.11. BATTERY



(A)=YSR740TV  
(B)=YSR740TVH  
(C)=YSR740TSV

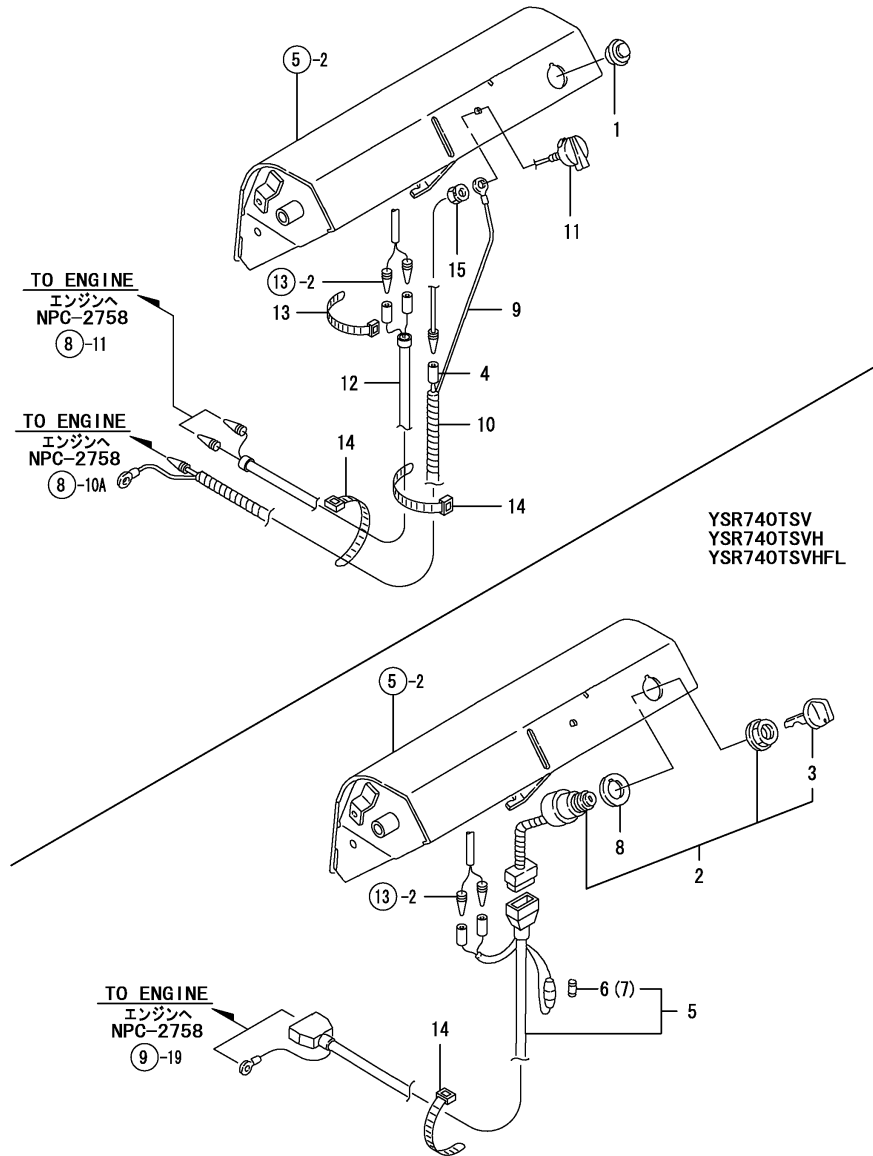
(D)=YSR740TSVH  
(E)=YSR740TV-HFL  
(F)=YSR740TSVHFL

REF.	LEV.	PARTS NO.	DESCRIPTION	Q'TY						I	R
				(A)	(B)	(C)	(D)	(E)	(F)		
I	1	1J3999-02010	WASHER 6 (C=FXXXXXX) (D=FXXXXXX)	2	2			2		Z	
	2	1N1710-32600	CLAMP 8X70	1	1			1			
	3	1N1711-51030	CASE COMP.,BATTERY	1	1			1			
	4	1N1713-51100	BATTERY YB18L-A(E)	1				1			
	4-1	1N1713-51101	BATTERY YB18L-A(E) (C=F010100) (F=F010095)	1	1			1		N	
	5	1N1711-51100	PLATE 60,BATTERY BTM	1	1			1			
	6	1N1711-51110	PLATE 60,KEEP	1	1			1			
	7	1N1711-51130	COVER 60,BATTERY	1	1			1			
	8	1N1710-51232	CABLE,BATTERY POS.	1	1			1			
	9	1N1710-51240	CABLE,BATTERY NEG.	1	1			1			
	10	1N1710-51250	MOUNT,BATTERY	1	1			1			
	11	1N1710-51350	PIPE,VINYL	1	1			1			
	12	1N1720-51550	RUBBER,LINING	2	2			2			
I	13	22217-060000	SPRING WASHER 6 (C=FXXXXXX) (D=FXXXXXX)	2	2			2		Z	
	14	26051-080002	NUT M 8	4	4			4			
	15	26647-060402	BOLT M6X40,WING	2	2			2			
I	15-1	26016-060404	BOLT M 6X 40 (C=FXXXXXX) (D=FXXXXXX)	2	2			2		N	
I	16	22157-060000	WASHER 6 (C=FXXXXXX) (D=FXXXXXX)	2	2			2		W	

Fig.12. SWITCH & HARNESS

(A)=YSR740TV  
(B)=YSR740TVH  
(C)=YSR740TSV

(D)=YSR740TSVH  
(E)=YSR740TV-HFL  
(F)=YSR740TSVHFL



REF.	LEV.	PARTS NO.	DESCRIPTION	Q'TY						I	R
				(A)	(B)	(C)	(D)	(E)	(F)		
1	1	1N1710-32180	GROMMET W/FILM	1	1			1			
2	1	1N1711-51250	SWITCH COMPL.,KEY			1	1		1		
3	2	1N1711-51240	KEY			1	1		1		
4	1	1N1723-51500	HARNESS TE	1	1			1			
5	1	1N1723-51511	HARNESS COMP.,KEY			1	1		1		
6	2	29411-200000	FUSE (20A),CARTRIDGE			1	1		1		
7	2	29411-200000	FUSE (20A),CARTRIDGE			1	1		1	1	
8	1	1N1710-51520	SPACER,SWITCH			1	1		1	1	
9	1	1N1723-51520	HARNESS,BODY EARTH	1	1			1			
10	1	1N1723-51531	TUBE 870,CORRUGATED	1	1			1			
11	1	1N1711-51770	SWITCH,STOR	1	1			1			
12	1	1N1723-53500	HARNES TE,LIGHT	1	1			1			
13	1	1E6460-83400	BAND 100	1	1			1			
14	1	1E6102-84970	BAND 140,WIRE LOCK	2	2	1	1	2	1		
15	1	26051-080002	NUT M 8	1	1			1			

YSR740TSV  
YSR740TSVH  
YSR740TSVHFL

Remarks  
(1)SPARE PARTS



Fig.13. LAMP

(A)=YSR740TV  
(B)=YSR740TVH  
(C)=YSR740TSV

(D)=YSR740TSVH  
(E)=YSR740TV-HFL  
(F)=YSR740TSVHFL

REF.	LEV.	PARTS NO.	DESCRIPTION	Q'TY						I	R		
				(A)	(B)	(C)	(D)	(E)	(F)				
1	1	1N1711-51390	STAY,HEADLIGHT	1	1	1	1	1	1				
2	1	1N1711-51850	HEADLIGHT COMPL.	1	1	1	1	1	1				
3	2	1N1711-51860	LAMP 12V-15W G23	1	1	1	1	1	1				
4	1	1N1721-52470	STAY TD,HEADLIGHT	1	1	1		1	1				
4-1	1	1N1721-52471	STAY TD,HEADLIGHT	1	1	1	1	1	1		N		
				(A=F010234)		(B=F010059)		(C=F010100)		(E=F010070)		(F=F010095)	
5	1	1E6102-84970	BAND 140,WIRE LOCK	1	1	1	1	1	1				
6	1	26016-060164	BOLT 6X16 W/L.W.	2	2	2	2	2	2				
7	1	26016-080164	BOLT M 8X 16	2	2	2	2	2	2				

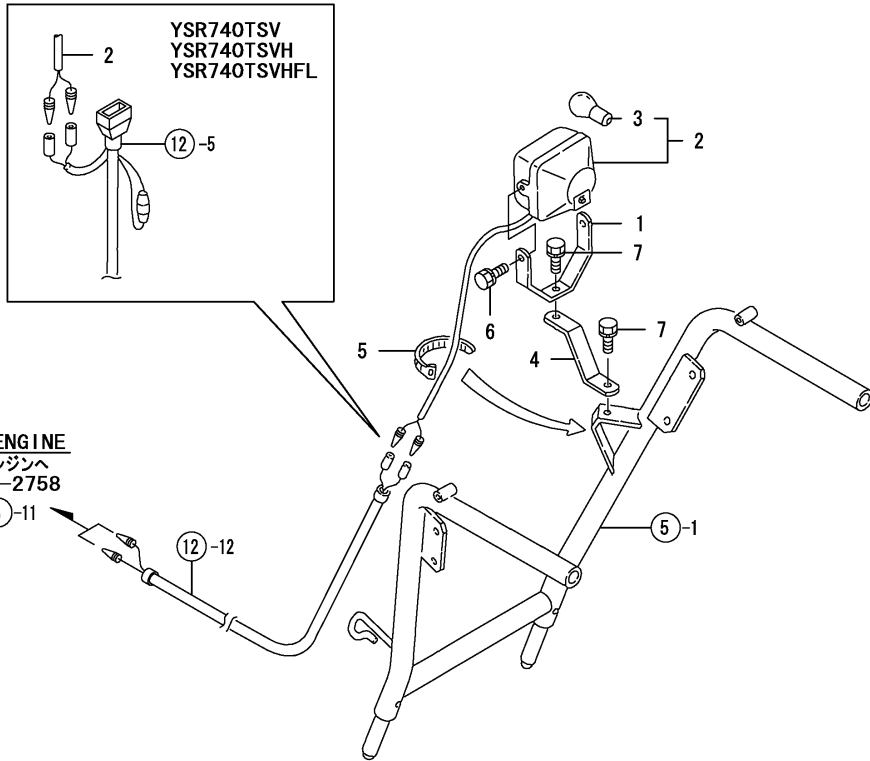
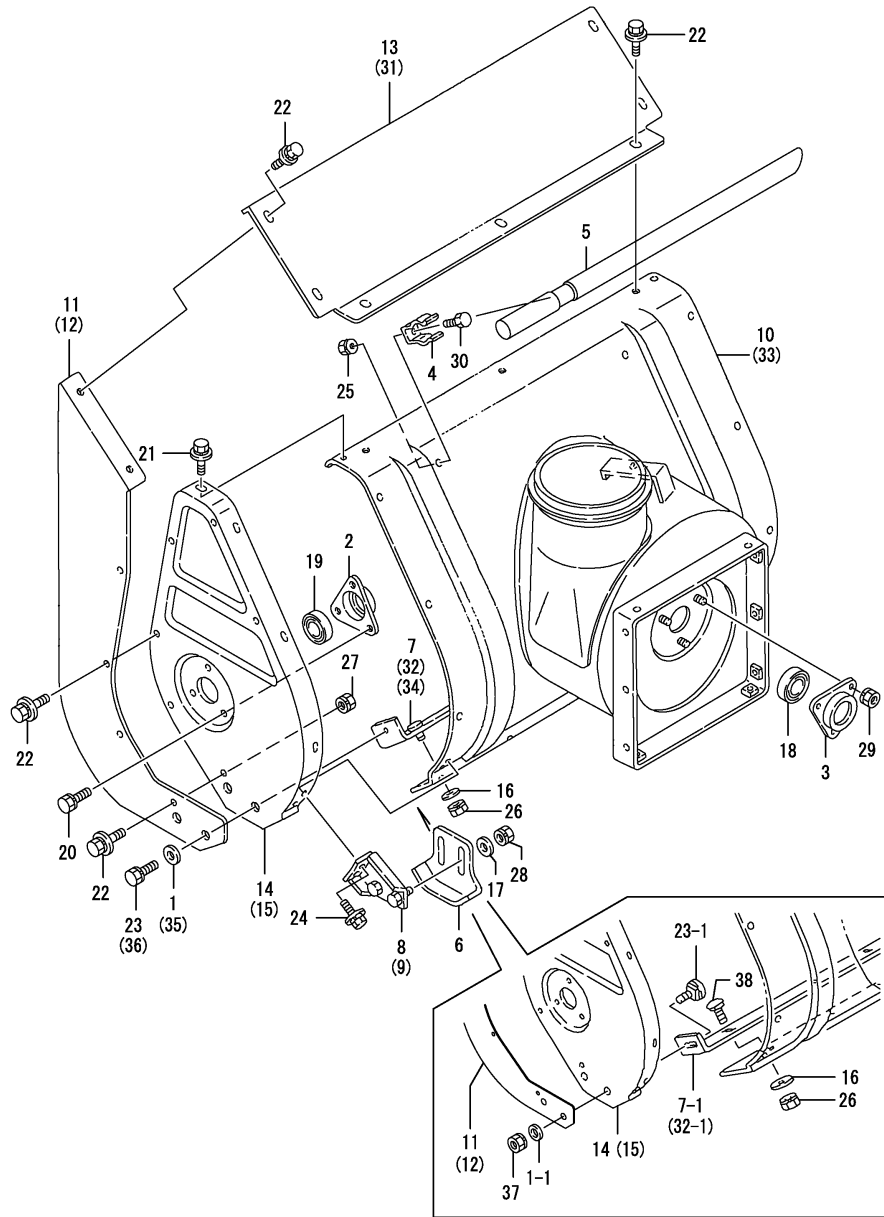


Fig.14. SNOW REMOVING FRAME

(A)=YSR740TV  
(B)=YSR740TVH  
(C)=YSR740TSV

(D)=YSR740TSVH  
(E)=YSR740TV-HFL  
(F)=YSR740TSVHFL



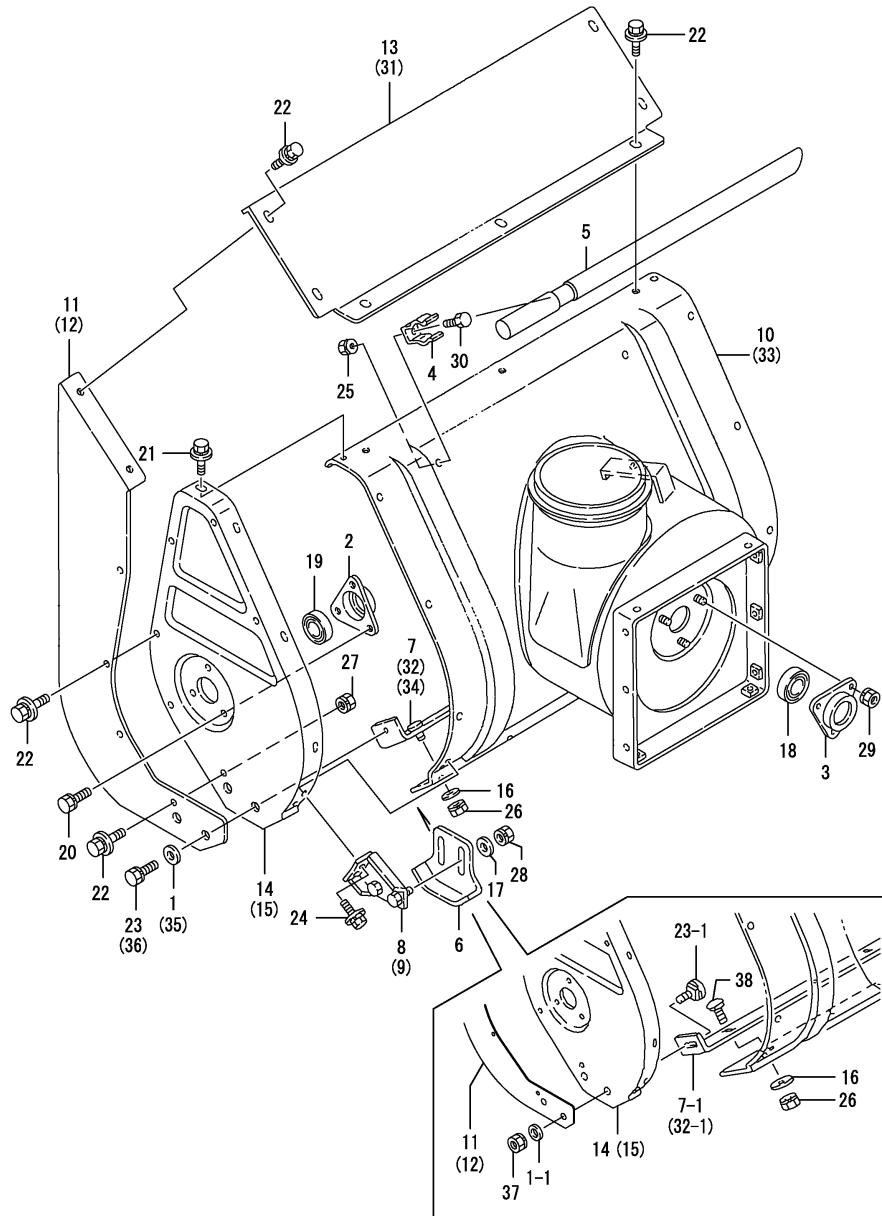
Remarks  
(1)EXCLUSIVE PARTS FOR YSR740TV-CH,  
YSR740TSV-CH

REF.	LEV.	PARTS NO.	DESCRIPTION	QTY						I	R	
				(A)	(B)	(C)	(D)	(E)	(F)			
1	1	1J3999-02010	WASHER 6	2	2	2	2	2	2			
I 1-1	1	22137-080000	WASHER 8, POLISHED	2	2	2	2	2	2		S	
		(A=F010500) (B=F010059) (C=F010267) (D=F010001)		(E=F010430)		(F=F010185)						
2	1	1N1570-38200	BEARING 6203C	2	2	2	2	2	2			
3	1	1N1570-38210	BEARING 6203B	1	1	1	1	1	1			
4	1	1N1710-71060	METAL,LOCK	2	2	2		2	2			
4-1	1	1N1710-71061	STOPPER	2	2	2		2	2		N	
		(A=F010234) (B=F010059) (C=F010100)		(E=F010070)		(F=F010095)						
4-2	1	1N1710-71062	STOPPER	2	2	2	2	2	2		N	
		(A=F010317) (B=F010059) (C=F010158)		(E=F010070)		(F=F010095)						
5	1	1N1710-71071	ROD,SNOW SHOVELING	1	1	1	1	1	1			
6	1	1N1711-71100	GUIDE	2	2	2	2	2	2			
7	1	1N1710-71100	PLATE,BOTTOM	1	1	1	1					
I 7-1	1	1N1713-71300	PLATE,BOTTOM 550	1	1	1	1				S	
		(A=F010500) (B=F010059) (C=F010267) (D=F010001)										
I 7-2	1	1N1713-71301	PLATE,BOTTOM(550	1	1	1	1				N	
		(A=F010789) (B=FXXXXXX) (C=F010436) (D=FXXXXXX)										
8	1	1N1570-71200	FITTINGS L,GUIDE	1	1	1	1	1	1			
9	1	1N1570-71230	FITTINGS R,GUIDE	1	1	1	1	1	1			
10	1	1N1713-71500	CASE COMP.,AUGER	1	1	1	1					
11	1	1N1710-82302	COVER L COMPL.,AUX.	1	1	1	1	1	1			
12	1	1N1710-82322	COVER R COMP.,AUX.	1	1	1	1	1	1			
13	1	1N1710-82340	SUB AUGER COVER	1	1	1	1					
14	1	1N1710-82622	PLATE L CMP,AUGER SD	1	1	1	1	1	1			
I 14-1	1	1N3310-71200	PLATE L,AUGER SIDE	1	1	1	1	1	1		R	
		(A=FXXXXXX) (B=FXXXXXX) (C=FXXXXXX) (D=FXXXXXX)		(E=FXXXXXX)		(F=FXXXXXX)						
15	1	7N1713-82640	PL.AS.,AUGER SD.PL.R	1	1	1	1	1	1			
I 15-1	1	7N3310-71250	PL.AS.,AUGER SD.PL.R	1	1	1	1	1	1		R	
		(A=FXXXXXX) (B=FXXXXXX) (C=FXXXXXX) (D=FXXXXXX)		(E=FXXXXXX)		(F=FXXXXXX)						
16	1	22137-060000	WASHER 6, POLISHED	5	5	5	5	5	5			
17	1	22137-080000	WASHER 8, POLISHED	4	4	4	4	4	4			
18	1	24104-062034	BALL BEARING	1	1	1	1	1	1			
19	1	24104-062034	BALL BEARING	2	2	2	2	2	2			
20	1	26016-080164	BOLT M 8X 16	6	6	6	6	6	6			
21	1	26018-060124	BOLT M 6X 12	8	8	8	8	8	8			
22	1	26018-060124	BOLT M 6X 12	15	15	15	15	15	15			
23	1	26016-060164	BOLT 6X16 W/L.W.	2	2	2	2	2	2			
I 23-1	1	26487-080202	BOLT 8*20	2	2	2	2	2	2		S	
		(A=F010500) (B=F010059) (C=F010267) (D=F010001)		(E=F010430)		(F=F010185)						
I 23-2	1	1N3020-71320	BOLT, 8X20	2	2	2	2	2	2		N	
		(A=F010500) (B=F010059) (C=F010267) (D=F010001)		(E=F010430)		(F=F010185)						
24	1	26018-060164	BOLT M 6X 16	4	4	4	4	4	4			
25	1	26051-060002	NUT M 6	2	2	2	2	2	2			
26	1	26051-060002	NUT M 6	5	5	5	5	5	5			
27	1	26051-060002	NUT M 6	2	2	2	2	2	2			
28	1	26051-080002	NUT M 8	4	4	4	4	4	4			
29	1	26051-080002	NUT M 8	3	3	3	3	3	3			
30	1	26117-060122	BOLT M 6X 12 PLATED	2	2	2	2	2	2			
31	1	1N1711-71230	COVER,AUX.TOP							1	1	
32	1	1N1711-71500	PLATE,BOTTOM							1	1	
I 32-1	1	1N3310-71300	PLATE,BOTTOM 650							1	1	S

Fig.14. SNOW REMOVING FRAME

(A)=YSR740TV  
(B)=YSR740TVH  
(C)=YSR740TSV

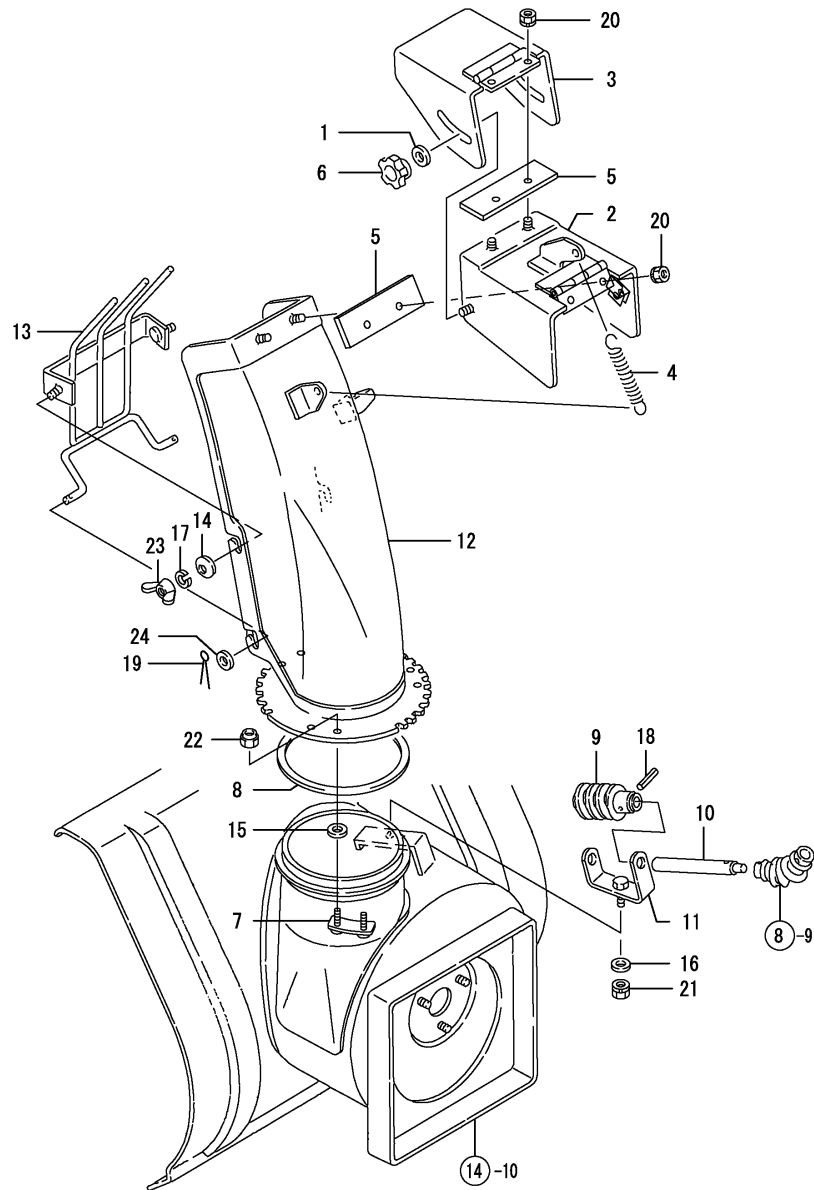
(D)=YSR740TSVH  
(E)=YSR740TV-HFL  
(F)=YSR740TSVHFL



REF.	LEV.	PARTS NO.	DESCRIPTION	QTY						I	R	
				(A)	(B)	(C)	(D)	(E)	(F)			
I	32-2	1	1N3310-71301	PLATE,BOTTOM(650	(E=F010430)			(F=F010185)	1	1	N	
					(E=F010530)			(F=F010235)				
	33	1	1N1713-71510	CASE COMP.,AUGER				1	1			
	34	1	1N1713-71100	PLATE,BOTTOM	1		1				1	
I	35	1	1J3999-02010	WASHER, 6	2		2				1	
I	36	1	26016-060164	BOLT, 6 X 16	2		2				1	
I	37	1	26051-080002	NUT M 8	2	2	2	2	2	2	W	
			(A=F010500)	(B=F010059)	(C=F010267)	(D=F010001)	(E=F010430)	(F=F010185)				
I	38	1	26487-060162	BOLT 6X 16	5	5	5	5	5	5	W	
			(A=F010500)	(B=F010059)	(C=F010267)	(D=F010001)	(E=F010430)	(F=F010185)				
I	38-1	1	1N3300-71320	BOLT	5	5	5	5	5	5	N	
			(A=F010500)	(B=F010059)	(C=F010267)	(D=F010001)	(E=F010430)	(F=F010185)				

Remarks  
(1)EXCLUSIVE PARTS FOR YSR740TV-CH,  
YSR740TSV-CH

Fig.15. CHUTE

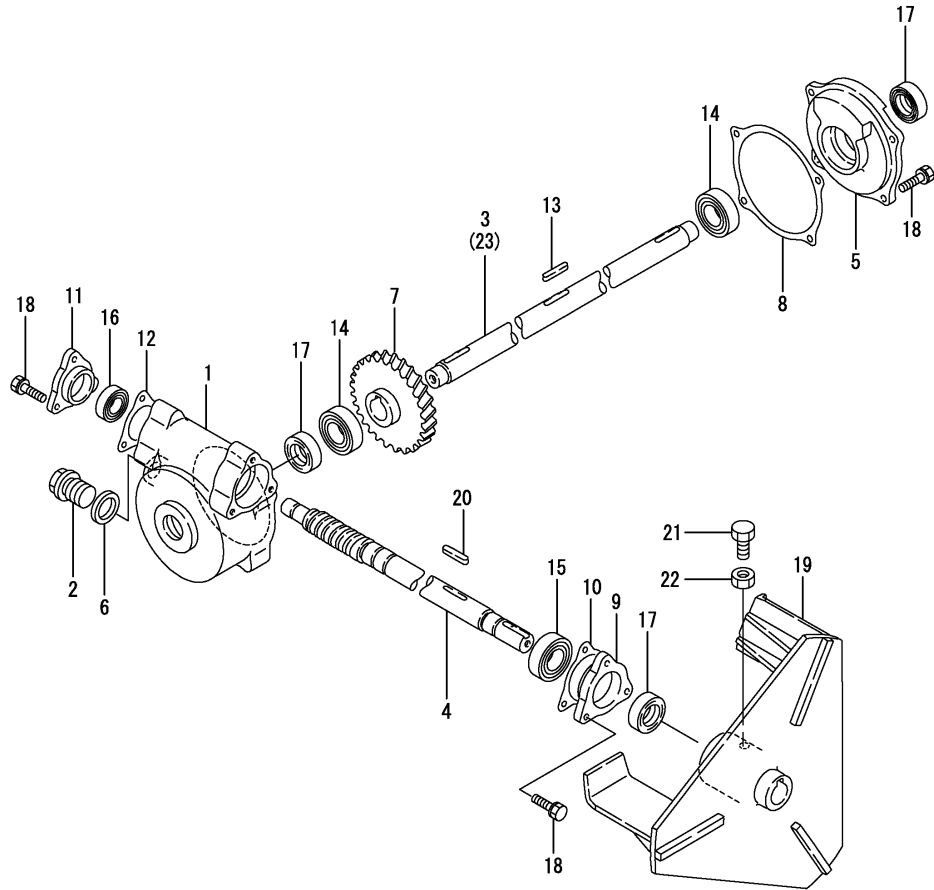


(A)=YSR740TV  
(B)=YSR740TVH  
(C)=YSR740TSV

(D)=YSR740TSVH  
(E)=YSR740TV-HFL  
(F)=YSR740TSVHFL

REF.	LEV.	PARTS NO.	DESCRIPTION	QTY						I	R
				(A)	(B)	(C)	(D)	(E)	(F)		
1	1	1J3999-02010	WASHER 6	2	2	2	2	2	2		
2	1	1N1711-73080	CAP COMP.,CHUTE	1	1	1		1	1		
2-1	1	1N1711-73081	CAP COMP.,CHUTE	1	1	1	1	1	1		N
3	1	(A=F010234) (B=F010059) (C=F010100) 1N1711-73140	CAP COMP.,SUB-CHUTE	(E=F010070) 1	(F=F010095) 1	1	1	1	1		
4	1	1N1570-73150	SPRING,CHUTE	1	1	1	1	1	1		
5	1	1N1711-73170	RUBBER,SNOW PROTECT.	2	2	2	2	2	2		
6	1	1N1711-73200	NUT,THUMB	2	2	2	2	2	2		
7	1	1N1711-73220	METAL,CHUTE LOCK	3	3	3	3	3	3		
8	1	1N1711-73280	PLATE,FLOOR	1	1	1	1	1	1		
9	1	1N1711-73320	WORM 3.5X3 R	1	1	1	1	1	1		
10	1	1N1711-73330	SHAFT,WORM	1	1	1	1	1	1		
11	1	1N1711-73350	SEAT,WORM BASE	1	1	1	1	1	1		
12	1	7N1723-73500	PL.ASSY.,CHUTE COMP.	1	1	1	1	1	1		
13	1	1N1960-73501	GUARD	1	1	1					
13-1	1	1N1960-73502	GUARD	1	1	1	1	1	1		N
14	1	(A=F010066) (B=F010049) (C=F010016) 1N1711-73700	WASHER 6,CONICAL SPR	2	2	2	2	2	2		
I 14-1	1	22157-060000	WASHER 6	2	2	2	2	2	2		N
15	1	(A=F010868) (B=FXXXXXX) (C=FXXXXXX) (D=FXXXXXX) 22117-060000	WASHER 6	(E=FXXXXXX) 6	(F=F010295) 6	6	6	6	6		
16	1	22137-080000	WASHER 8, POLISHED	1	1	1	1	1	1		
I 17	1	22217-060000	SPRING WASHER 6	2	2	2	2	2	2		Z
18	1	(A=F010868) (B=FXXXXXX) (C=FXXXXXX) (D=FXXXXXX) 22351-060025	SPRING PIN 6X25	(E=FXXXXXX) 1	(F=F010295) 1	1	1	1	1		
19	1	22417-200120	COTTER PIN 2.0X12	2	2	2	2	2	2		
20	1	26051-060002	NUT M 6	4	4	4	4	4	4		
21	1	26051-080002	NUT M 8	1	1	1	1	1	1		
22	1	26347-060002	U-NUT M 6	6	6	6	6	6	6		
23	1	26635-060002	WING NUT M 6	2	2	2	2	2	2		
I 23-1	1	26051-060002	NUT M 6	2	2	2	2	2	2		N
24	1	(A=F010868) (B=FXXXXXX) (C=FXXXXXX) (D=FXXXXXX) 22137-060000	WASHER 6, POLISHED	(E=FXXXXXX) 2	(F=F010295) 2	2	2	2	2		

Fig.16. GEAR CASE



OCNP2-G75500 16. GEAR CASE

(A)=YSR740TV  
(B)=YSR740TVH  
(C)=YSR740TSV

(D)=YSR740TSVH  
(E)=YSR740TV-HFL  
(F)=YSR740TSVHFL

REF.	LEV.	PARTS NO.	DESCRIPTION	Q'TY						I	R
				(A)	(B)	(C)	(D)	(E)	(F)		
1	1	1N1710-74002	CASE,GEAR	1	1	1	1	1	1		
2	1	1N1711-74000	BOLT,DRAIN	1	1	1	1	1	1		
3	1	1N1710-74030	SHAFT,AUGER	1	1	1	1				
4	1	1N1570-74101	SHAFT,WORM	1	1	1	1	1	1		
5	1	1N1710-74012	COVER C,SNAP-IN	1	1	1	1	1	1		
6	1	1N1711-74010	PACKING 20X28X2,CU	1	1	1	1	1	1		
7	1	1N1710-74021	WHEEL,WORM	1	1	1	1	1	1		
8	1	1N1570-74050	PACKING C	1	1	1	1	1	1		
9	1	1N1570-74110	COVER A,KEEP	1	1	1	1	1	1		
10	1	1N1570-74120	PACKING A	1	1	1	1	1	1		
11	1	1N1570-74130	COVER B,KEEP	1	1	1	1	1	1		
12	1	1N1570-74140	PACKING B	1	1	1	1	1	1		
13	1	22512-050300	KEY 5X 30	1	1	1	1	1	1		
14	1	24101-060044	BALL BEARING #6004	2	2	2	2	2	2		
15	1	24107-060044	BALL BEARING	1	1	1	1	1	1		
16	1	24107-062024	BALL BEARING	1	1	1	1	1	1		
17	1	24421-203508	SEAL, OIL	3	3	3	3	3	3		
18	1	26016-060202	BOLT M 6X 20	10	10	10	10	10	10		
19	1	1N1711-76000	BOLOWER COP	1	1	1					
19-1	1	1N1711-76001	BLOWER COMPL.	1	1	1	1	1	1		N
		(A=F010141) (B=F010059) (C=F010026)									
20	1	22512-050300	KEY 5X 30	1	1	1	1	1	1		
21	1	26116-080202	BOLT M 8X 20 PLATED	1	1	1	1	1	1		
22	1	26717-080002	NUT 8	1	1	1	1	1	1		
23	1	1N1720-74000	SHAFT,AUGER							1	1

Fig.17. AUGER

(A)=YSR740TV  
(B)=YSR740TVH  
(C)=YSR740TSV

(D)=YSR740TSVH  
(E)=YSR740TV-HFL  
(F)=YSR740TSVHFL

REF.	LEV.	PARTS NO.	DESCRIPTION	Q'TY						I	R
				(A)	(B)	(C)	(D)	(E)	(F)		
1	1	1N1710-75001	AUGER L	1	1	1	1				
2	1	1N1710-75031	AUGER R	1	1	1	1				
3	1	1N1710-75041	FLANGE R	1	1	1	1	1	1		
4	1	1N1570-75151	FLANGE L	1	1	1	1	1	1		
5	1	22157-080000	WASHER 8	2	2	2	2	2	2		
6	1	22217-080000	SPRING WASHER 8	2	2	2	2	2	2		
7	1	22512-050300	KEY 5X 30	2	2	2	2	2	2		
8	1	26116-060202	BOLT M 6X 20	2	2	2	2	2	2		
9	1	26116-080162	BOLT 8X16	2	2	2	2	2	2		
10	1	26116-080252	BOLT M 8X 25 PLATED	2	2	2	2	2	2		
11	1	26347-060002	U-NUT M 6	2	2	2	2	2	2		
12	1	26717-080002	NUT 8	2	2	2	2	2	2		
13	1	1N1711-75000	AUGER L							1	1
14	1	1N1711-75010	AUGER R							1	1

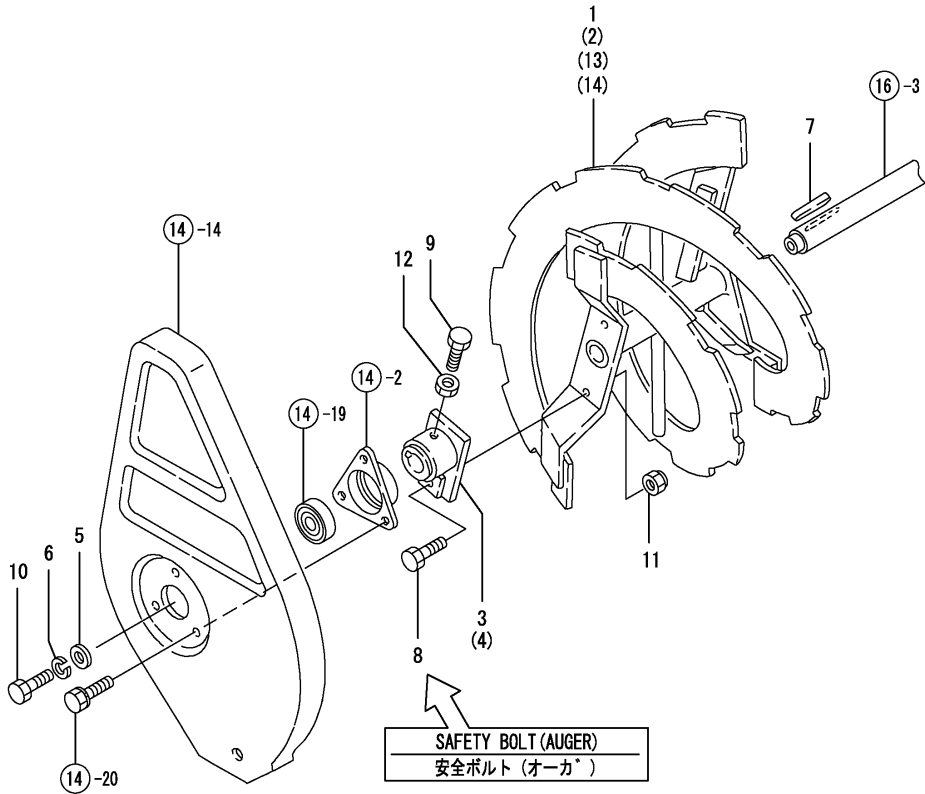
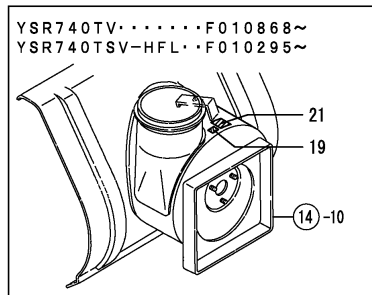
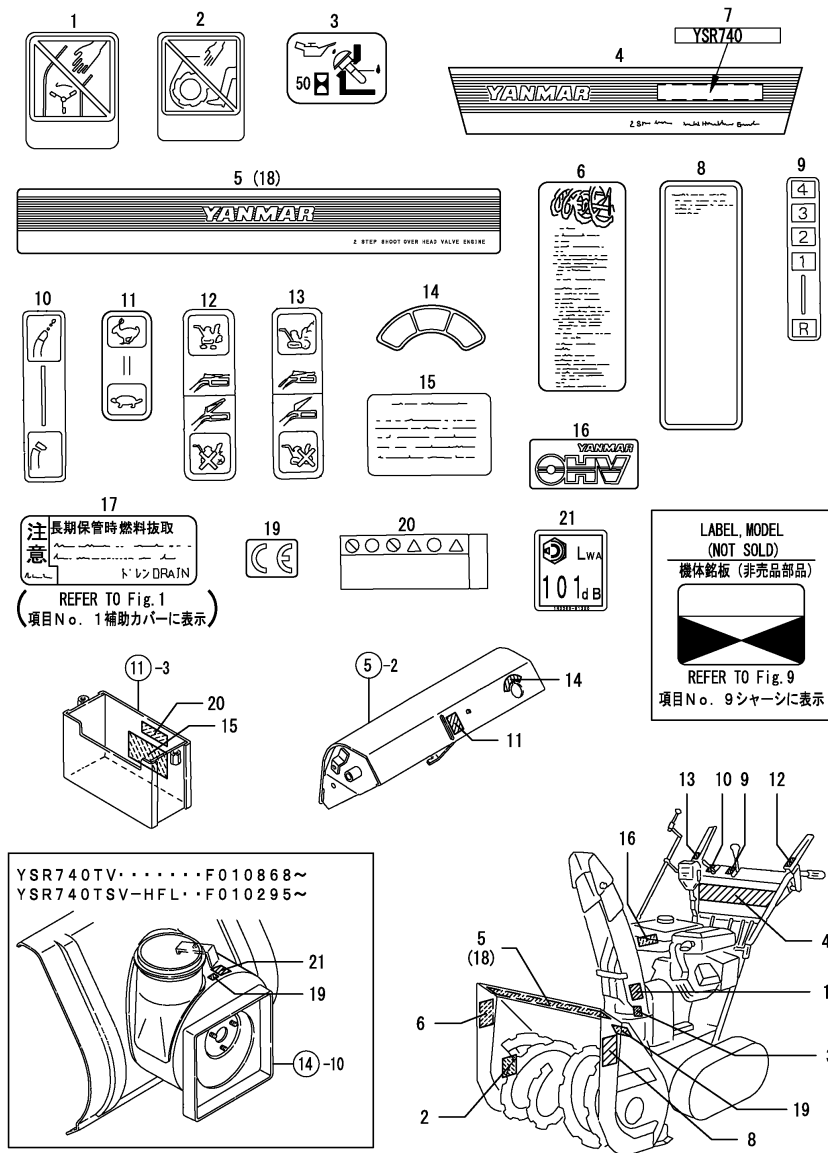


Fig.18. MARKS



Remarks  
 (1) FOR SAFETY LABELS,  
 REFER TO GROUP NO.20  
 (2) NOT USED FOR YSR740TV-CH,  
 YSR740TSV-CH

(A)=YSR740TV  
 (B)=YSR740TVH  
 (C)=YSR740TSV

(D)=YSR740TSVH  
 (E)=YSR740TV-HFL  
 (F)=YSR740TSVHFL

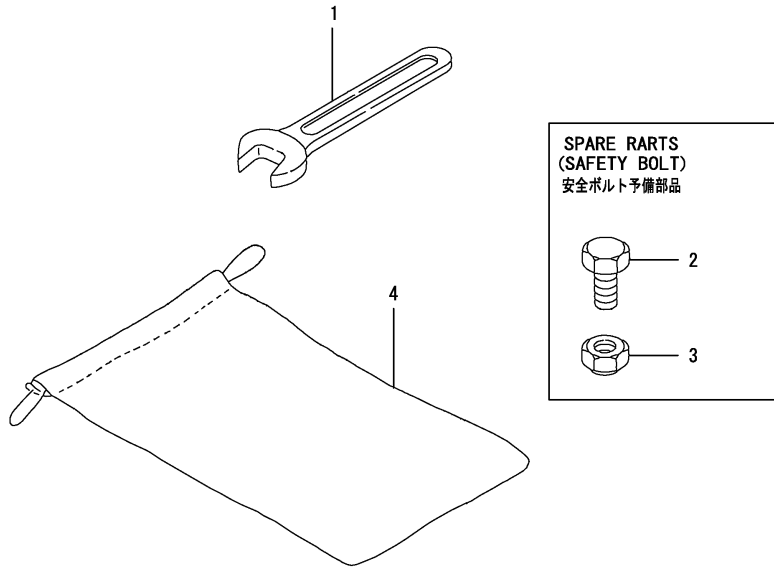
REF.	LEV.	PARTS NO.	DESCRIPTION	QTY						I	R		
				(A)	(B)	(C)	(D)	(E)	(F)				
1	1	1N1711-68100 (A=F010186) (B=F010059) (C=F010086)	MARK,SAFETY CAUTION	1	1	1			1	1	Z	1	
2	1	1N1711-68110 (A=F010186) (B=F010059) (C=F010086)	MARK B,SAFETY CAUT'N	1	1	1				1	1	Z	1
3	1	1N1711-68220	MARK,OIL CHECK	1	1	1	1	1	1				
4	1	1N1723-92521	NAMEPLATE,MODEL	1	1	1	1	1	1				
5	1	1N1713-92550	MARK "YANMAR"	1	1	1	1	1					
6	1	1N1723-92550	LABEL,BOLT REPLACEM	1	1	1	1	1	1				
7	1	1N1713-92560	MARK "740"	1	1	1	1	1	1				
8	1	1N1713-92570	LABEL CAUTION	1	1	1	1	1	1				
9	1	1N1723-92570	MARK,CHANGE	1	1	1	1	1	1				
10	1	1N1723-92580	MARK,SNOW THROW IND	1	1	1	1	1	1				
11	1	1N1723-92590	MARK,ACCELERATOR	1	1	1	1	1	1				
12	1	1N1723-92600	MARK,TRAVEL CLUTCH	1	1	1	1	1	1				
13	1	1N1723-92610	MARK,SNOW REM.CLUTCH	1	1	1	1	1	1				
14	1	1N1723-92620	MARK,SWITCH				1	1				1	
15	1	1N1723-92630	LABEL,BATTERY CAUT'N				1						
15-1	1	1N1723-92631 (C=F010026)	LABEL,BATTERY CAUT'N				1	1				1	R
16	1	1N1313-93120	MARK "OHV"	1	1	1	1	1	1				
17	1	160520-07271 (A=F010186) (B=F010059) (C=F010086)	LABEL, DRAIN	1	1	1			1	1		Z	
18	1	1N1723-92530	MARK "YANMAR"							1	1		
19	1	1E1061-86610 (A=F010184) (B=F010059) (C=F010086)	MARK "CE"	1	1	1	1	1	1	1		W	
20	1	1C6780-95950 (C=F010100)	LABEL				1	1				1	W
21	1	1N3360-91320 (A=F010868)	LABEL,SOUND LABEL	1								1	W 2

Fig.19. TOOLS & ACCESSORIES

(A)=YSR740TV  
(B)=YSR740TVH  
(C)=YSR740TSV

(D)=YSR740TSVH  
(E)=YSR740TV-HFL  
(F)=YSR740TSVHFL

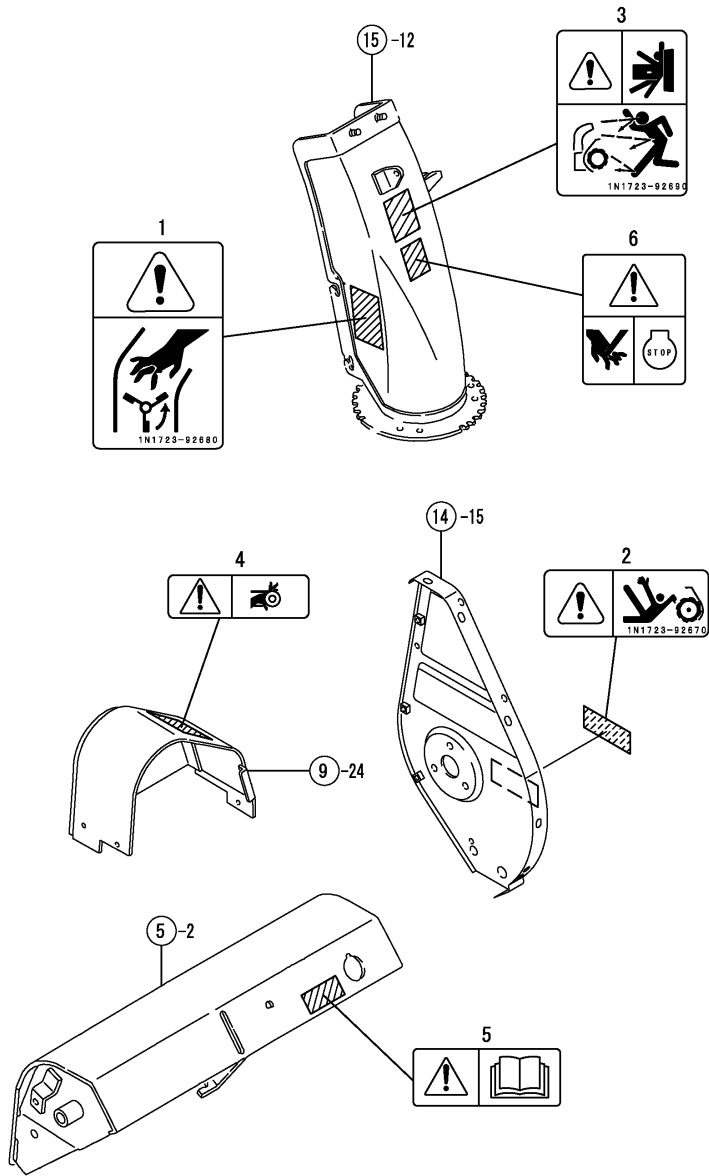
REF.	LEV.	PARTS NO.	DESCRIPTION	Q'TY						I	R
				(A)	(B)	(C)	(D)	(E)	(F)		
1	1	28110-100000	WRENCH	1	1	1	1	1	1		
2	1	26116-060202	BOLT M 6X 20	10	10	10	10	10	10		1
3	1	26347-060002	U-NUT M 6	10	10	10	10	10	10		1
4	1	1F1150-92000	BAG,TOOL	1	1	1	1	1	1		



Remarks  
(1) IT IS A SPARE PART FOR SAFETY BOLT, GROUP NO.17, REF. NO.8.



Fig.20. LABELS(SAFETY(ADDNL.ITEM))



0CNP2-G75500 20. LABELS(SAFETY(ADDNL.ITEM))

(A)=YSR740TV  
(B)=YSR740TVH  
(C)=YSR740TSV

(D)=YSR740TSVH  
(E)=YSR740TV-HFL  
(F)=YSR740TSVHFL

REF.	LEV.	PARTS NO.	DESCRIPTION	Q'TY						I	R
				(A)	(B)	(C)	(D)	(E)	(F)		
1	1	1N1723-92680 (A=F010186)	WARNING,SHOOTER (B=F010059) (C=F010086)	1	1	1	1	1	1	1	W
2	1	1N1723-92670 (A=F010186)	DANGER,SNW.REMV.UNIT (B=F010059) (C=F010086)	1	1	1	1	1	1	1	W
3	1	1N1723-92690 (A=F010186)	WARNING,SCATTERINGS (B=F010059) (C=F010086)	1	1	1	1	1	1	1	W
4	1	1W4909-92310 (A=F010186)	CAUTION,BELT,COVWR (B=F010059) (C=F010086)	1	1	1	1	1	1	1	W
5	1	1W4909-92350 (A=F010186)	LABEL (B=F010059) (C=F010086)	1	1	1	1	1	1	1	W
6	1	1W4909-92360 (A=F010186)	CAUTION,ENGINE,STOP (B=F010059) (C=F010086)	1	1	1	1	1	1	1	W

## Part Number Index

All parts are stipulated in the order of part numbers.

(Depending on the area in which the part is used.)

This index will display the location of the part according to each part number.

## PARTS No. INDEX

PARTS No.	Fig.	Ref.No.
160520-07271	18	17
194080-58820	1	11
1A1040-58160	7	9
1A1140-58050	8	12
1C6780-95950	18	20
1E1061-86610	18	19
1E6102-84970	6	24
	12	14
	13	5
1E6460-83400	1	22
	6	23
	7	20
		20 -1
	8	15
	12	13
1F1150-92000	19	4
1J3000-20020	10	2
1J3192-40550	2	15
1J3940-14250	3	11 -1
1J3999-00250	6	1
1J3999-00260	6	2
1J3999-01050	6	3
1J3999-01090	9	1
1J3999-02010	1	6
	11	1
	14	1
		35
	15	1
1J3999-02020	10	1
		16 -1
1J3999-02050	10	1 -1
		1 -2
		16 -2
		16 -3
1J3999-02110	6	4
1J3999-02130	8	1
1J3999-05010	6	5
1J3999-06000	6	6
1N1313-93120	18	16
1N1570-12200	2	5
1N1570-12280	2	10
1N1570-12350	2	12
1N1570-21070	4	9
1N1570-21090	4	10
1N1570-21100	4	11
1N1570-21170	4	12
1N1570-21200	4	13
1N1570-21300	4	16
1N1570-21600	4	18
1N1570-32290	7	6

PARTS No.	Fig.	Ref.No.
1N1570-32320	7	7
1N1570-32950	7	8
1N1570-36351	9	5
1N1570-38000	10	3
1N1570-38010	10	5
1N1570-38020	4	19
	10	6
1N1570-38030	10	8
1N1570-38050	10	10
1N1570-38090	10	11
1N1570-38130	10	12
1N1570-38151	10	13
1N1570-38180	10	14
1N1570-38200	14	2
1N1570-38210	10	15
	14	3
1N1570-51130	1	21
1N1570-71200	14	8
1N1570-71230	14	9
1N1570-73150	15	4
1N1570-74050	16	8
1N1570-74101	16	4
1N1570-74110	16	9
1N1570-74120	16	10
1N1570-74130	16	11
1N1570-74140	16	12
1N1570-75151	17	4
1N1710-12101	2	2
1N1710-12240	2	9
1N1710-12241	2	9 -1
1N1710-12400	2	14
1N1710-21001	4	1
1N1710-21010	4	3
1N1710-21022	4	5
1N1710-21023	4	5 -1
1N1710-21024	4	5 -2
1N1710-21030	4	6
1N1710-21050	4	7
1N1710-21202	4	14
1N1710-21320	4	17
1N1710-32180	12	1
1N1710-32600	11	2
1N1710-36060	9	9
1N1710-36080	9	10
1N1710-36201	9	14
1N1710-38000	10	4
1N1710-38020	10	7
1N1710-38040	10	9
1N1710-51232	11	8
1N1710-51240	11	9

PARTS No.	Fig.	Ref.No.
1N1710-51250	11	10
1N1710-51350	11	11
1N1710-51520	12	8
1N1710-71060	14	4
1N1710-71061	14	4 -1
1N1710-71062	14	4 -2
1N1710-71071	14	5
1N1710-71100	14	7
1N1710-74002	16	1
1N1710-74012	16	5
1N1710-74021	16	7
1N1710-74030	16	3
1N1710-75001	17	1
1N1710-75031	17	2
1N1710-75041	17	3
1N1710-82140	5	6
1N1710-82251	3	27
1N1710-82302	14	11
1N1710-82322	14	12
1N1710-82340	14	13
1N1710-82622	14	14
1N1711-12010	3	5
1N1711-12020	3	2
1N1711-12030	3	3
1N1711-12071	2	1
1N1711-12090	2	3
1N1711-12142	2	4
1N1711-12200	2	6
		13
1N1711-12230	2	8
1N1711-12231	2	8 -1
1N1711-12250	2	22
1N1711-12260	2	7
1N1711-12261	2	7 -1
1N1711-12280	2	11
1N1711-12402	3	6
1N1711-12560	3	7
1N1711-13201	3	9
1N1711-13250	3	8
1N1711-21002	4	2
1N1711-21010	4	4
1N1711-21050	4	8
1N1711-21081	4	41
1N1711-32330	1	20
1N1711-35051	5	7
1N1711-35110	5	4
1N1711-36001	9	8
1N1711-36002	9	8 -1
1N1711-36090	9	23
1N1711-36110	9	11

PARTS No.	Fig.	Ref.No.
1N1711-36150	9	12
1N1711-36191	9	13
1N1711-36201	9	15
1N1711-36230	9	2
1N1711-36240	9	3
1N1711-36300	9	4
1N1711-36350	9	6
1N1711-51030	11	3
1N1711-51100	11	5
1N1711-51110	11	6
1N1711-51130	11	7
1N1711-51240	12	3
1N1711-51250	12	2
1N1711-51390	13	1
1N1711-51770	12	11
1N1711-51850	13	2
1N1711-51860	13	3
1N1711-68100	18	1
1N1711-68110	18	2
1N1711-68220	18	3
1N1711-71100	14	6
1N1711-71230	14	31
1N1711-71500	14	32
1N1711-73080	15	2
1N1711-73081	15	2 -1
1N1711-73140	15	3
1N1711-73170	15	5
1N1711-73200	15	6
1N1711-73220	15	7
1N1711-73280	15	8
1N1711-73320	15	9
1N1711-73330	15	10
1N1711-73350	15	11
1N1711-73700	15	14
1N1711-74000	16	2
1N1711-74010	16	6
1N1711-75000	17	13
1N1711-75010	17	14
1N1711-76000	16	19
1N1711-76001	16	19 -1
1N1713-00040	1	1
1N1713-00080	1	2
1N1713-00100	1	3
1N1713-00140	1	4
1N1713-00170	1	5
1N1713-01000	1	13
1N1713-12000	3	1
1N1713-12030	3	4
1N1713-12050	3	26
1N1713-30070	5	18

MODEL : YSR740T(  
PC NO : 0CNP2-G75500

## PARTS No. INDEX

PARTS No.	Fig.	Ref.No.
1N1713-31010	6	7
1N1713-31050	6	9
1N1713-31070	6	11
1N1713-31080	6	12
1N1713-31090	6	13
1N1713-34050	8	5
1N1713-34070	8	8
1N1713-34071	8	8 -1
1N1713-51100	11	4
1N1713-51101	11	4 -1
1N1713-71100	14	34
1N1713-71300	14	7 -1
1N1713-71301	14	7 -2
1N1713-71500	14	10
1N1713-71510	14	33
1N1713-92550	18	5
1N1713-92560	18	7
1N1713-92570	18	8
1N1720-21211	4	15
1N1720-51550	11	12
1N1720-74000	16	23
1N1721-52470	13	4
1N1721-52471	13	4 -1
1N1723-02001	1	17
1N1723-02010	1	18
1N1723-02020	1	19
1N1723-12400	3	28
1N1723-30501	5	1
1N1723-30660	5	3
1N1723-30680	5	5
1N1723-31010	6	8
1N1723-31011	6	8 -1
1N1723-31050	6	10
1N1723-31270	6	14
1N1723-31300	6	15
1N1723-31310	6	16
1N1723-31350	6	17
1N1723-31360	6	18
1N1723-31371	6	19
1N1723-31380	6	20
1N1723-31390	6	21
1N1723-31501	6	22
1N1723-32001	7	1
1N1723-32002	7	1 -1
1N1723-32003	7	1 -2
1N1723-32010	7	2
1N1723-32030	7	3
1N1723-32031	7	3 -1
1N1723-32060	7	4
1N1723-32070	7	2 -1

PARTS No.	Fig.	Ref.No.
1N1723-32080	7	5
1N1723-34000	8	2
1N1723-34010	8	3
1N1723-34020	8	4
1N1723-34100	8	7
1N1723-34141	8	9
1N1723-34150	8	10
1N1723-34160	8	11
1N1723-34170	8	29
1N1723-38500	10	3 -1
1N1723-51500	12	4
1N1723-51511	12	5
1N1723-51520	12	9
1N1723-51531	12	10
1N1723-53500	12	12
1N1723-92521	18	4
1N1723-92530	18	18
1N1723-92550	18	6
1N1723-92570	18	9
1N1723-92580	18	10
1N1723-92590	18	11
1N1723-92600	18	12
1N1723-92610	18	13
1N1723-92620	18	14
1N1723-92630	18	15
1N1723-92631	18	15 -1
1N1723-92670	20	2
1N1723-92680	20	1
1N1723-92690	20	3
1N1960-73501	15	13
1N1960-73502	15	13 -1
1N3020-71320	14	23 -2
1N3021-38600	10	5 -1
1N3300-00050	1	29
1N3300-71320	14	38 -1
1N3310-71200	14	14 -1
1N3310-71300	14	32 -1
1N3310-71301	14	32 -2
1N3360-91320	18	21
1S6002-61160	7	10
1S6240-63810	8	13
1W4909-92310	20	4
1W4909-92350	20	5
1W4909-92360	20	6
7N1713-30050	5	2
7N1713-30051	5	2 -1
7N1713-36400	9	24
7N1713-37050	9	24 -1
7N1713-82640	14	15
7N1723-73500	15	12

PARTS No.	Fig.	Ref.No.
7N3310-71250	14	15 -1

PARTS No.	Fig.	Ref.No.
-----------	------	---------



***YANMAR CO., LTD.***